

Russell Motors

A.J.S & Matchless

spare parts catalogue

**RUSSELL MOTORS
125/127 FALCON ROAD
BATTERSEA
LONDON SW11 2PE
ENGLAND**

**TEL:020-7228-1714
+44-20-7228-1714
FAX:020-7924-4273
+44-20-7924-4273**

MARCH 2005 issue

About this catalogue.

To get the best from this catalogue, we suggest you use the appropriate spares list for your motorcycle. If you need a book Bruce Main-Smith & Co do photocopies. Tel/Fax 0116-277-7669, www.brucemain-smith.com

AMC part numbers are used for reference only, and does not mean that all parts are genuine. However over 90% of parts are Genuine AMC.

All prices are for 1 item unless stated; i.e. pair / set.

N/A in the price column indicates that this part is not available.

O/S in the price column indicates that this part was out of stock at the time of producing this catalogue and is likely to be available again.

POA in the price column indicates price on application. Let us know what you require and we will look to see what we have.

All prices are correct at time of print and are subject to change without notice. Exchange items must be sent with order.

The “ **price +VAT** ” column is the price including VAT at 17.5%. This is the price payable by all residents of countries within the EEC, and visitors to England from outside the EEC

The “ **price -VAT** ” column is the price less VAT. This is the price payable by all residents of countries outside the EEC

Ordering spares.

When ordering use the part number , full description and quantity of the parts you require. Failure to do this may delay your order

Post or fax your order to us - we do not take orders over the telephone.

Email your order to us. We will then give you a link to our online payment system.

Minimum order:Our minimum order charge is £10.

Payment:Can be made by the following ways

Cheques & postal orders: Payable to Russell Motors

Credit cards: Visa, Access, Eurocard, Mastercard.

Quote card number and expiry date.

Debit cards: Barclays Connect etc.

Quote card number and expiry date.

Cash: Send by registered post.

Postage: If you are paying by Credit/Debit cards postage can be charged accurately.

If you paying by cheque, postal order or cash for destinations within the UK add 15% for postage (**Minimum £2.50. Maximum £11.00**).

Overseas postage quotations are available on request.

WE HAVE TRIED TO LIST ALL PARTS BY THEIR ORIGINAL PART NUMBERS ,
EXCEPT WHERE THE SAME PART WILL SUFFICE FOR SEVERAL DIFFERENT
PART NUMBERS.

PAGE 1 - SECTION 1:	AMC PART NUMBERS 00.0001 ONWARDS (INCLUDES AMC GEARBOX AND CLUTCH).
PAGE 30 -.SECTION 2:	STEERING DAMPERS
PAGE 30 - SECTION 3:	BIG END BEARINGS FOR SINGLE CYLINDER MODELS.
PAGE 31 - SECTION 4:	BURMAN CP GEARBOX & CLUTCH.
PAGE 33 - SECTION 5:	BURMAN B52 GEARBOX & CLUTCH.
PAGE 35 - SECTION 6:	CARBURETTOR.
PAGE 38 - SECTION 7:	CHAINS.
PAGE 39 - SECTION 8:	ELECTRICAL.
PAGE 41 - SECTION 9:	GASKET SETS.
PAGE 41 - SECTION 10:	HANDLEBAR, CONTROL LEVERS & CABLES.
PAGE 43 - SECTION 11:	NORTON FORKS FITTED TO POST 1964 MODELS
PAGE 44 - SECTION 12:	NORTON FRONT WHEELS FITTED TO POST 1964 MODELS
PAGE 45 - SECTION 13:	NORTON REAR WHEELS FITTED TO POST 1964 MODELS
PAGE 46 - SECTION 14:	OIL PIPES
PAGE 46 - SECTION 15:	PETROL TAPS AND FITTINGS
PAGE 46 - SECTION 16:	PISTONS
PAGE 48 - SECTION 17:	PISTON RINGS
PAGE 49 - SECTION 18:	SPEEDOMETER CABLES & DRIVE GEARBOXES
PAGE 49 - SECTION 19:	TINWARE
PAGE 49 - SECTION 20:	TRANSFERS
PAGE 50 - SECTION 21:	TYRES

Opening times.

Monday: CLOSED.

Tuesday: 9.00am - 5.00pm.

Wednesday: 9.00am - 5.00pm.

Thursday: 9.00am - 5.00pm.

Friday: 9.00am - 5.00pm.

Saturday: 9.00am - 4.00pm.

Sunday: CLOSED.

PART NO	DESCRIPTION	PRICE + VAT	PRICE -VAT
---------	-------------	----------------	---------------

SECTION 1 : AMC PARTS 00.0001 ON

00.0001	NUT 1/2"-26TPI	£ 1.25	£ 1.06
00.0002	NUT 7/16"-26TPI	£ 0.50	£ 0.43
00.0003	NUT 3/8"-26TPI	£ 0.20	£ 0.17
00.0004	NUT 5/16"-26TPI	£ 0.20	£ 0.17
00.0005	NUT 1/4"-26TPI	£ 0.15	£ 0.13
00.0006	SPLIT PIN 5/8"-5/32"	£ 0.15	£ 0.13
00.0008	WASHER 1/2"	£ 0.10	£ 0.09
00.0009	WASHER 7/16"	£ 0.10	£ 0.09
00.0010	WASHER 3/8"	£ 0.10	£ 0.09
00.0011	WASHER 5/16"	£ 0.10	£ 0.09
00.0012	WASHER 1/4"	£ 0.10	£ 0.09
00.0013	WASHER 9/16"	£ 0.80	£ 0.68
00.0014	SPLIT PIN 5/8"-1/16"	£ 0.15	£ 0.13
00.0015	OIL PUMP END CAP SCREW	£ 0.75	£ 0.64
00.0021	BALL 1/4"	£ 0.10	£ 0.09
00.0024	NUT 1BA	£ 0.10	£ 0.09
00.0025	WASHER 1BA	£ 0.05	£ 0.04
00.0039	WASHER 3/16"	£ 0.05	£ 0.04
00.0040	SCREW 3/8"-1BA	£ 0.40	£ 0.34
00.0044	SCREW 5/16"-1BA	£ 0.15	£ 0.13
00.0049	SPLIT PIN	£ 0.15	£ 0.13
00.0051	GREASE NIPPLE	£ 0.75	£ 0.64
00.0070	BOLT,9/16"-1/4" 26TPI	£ 0.40	£ 0.34
00.0071	NUT 1/2"-26TPI THIN	£ 0.70	£ 0.60
00.0072	BALL 3/16" (SET OF 56)	£ 4.50	£ 3.83
00.0073	NUT,3/8-26TPI THIN	£ 0.50	£ 0.43
00.0074	NUT,5/16"-26 TPI	£ 0.50	£ 0.43
00.0075	ROLLER 1/4"-1/4" - EACH	£ 0.40	£ 0.34
00.0079	NUT,3BA	£ 0.15	£ 0.13
00.0080	NUT,2BA	£ 0.10	£ 0.09
00.0140	SCREW,5/16"-1BA	£ 1.00	£ 0.85
00.0150	USE 03.1553		
00.0151	USE 03.1553		
00.0152	USE 03.1553		
00.0153	USE 03.1553		
00.0162	STEERING DAMPER WASHER	£ 2.00	£ 1.70
00.0164	DYNAMO LOCK WASHER	£ 2.00	£ 1.70
00.0165	CHAINCASE LOCK WASHER	£ 1.00	£ 0.85
00.0173	WASHER,5/16" LARGE DIAMETER	£ 0.20	£ 0.17
00.0174	CAM PLATE/QUADRANT BOLT WASHER	£ 0.40	£ 0.34
00.0176	WASHER	£ 0.40	£ 0.34
00.0178	BRAKE ROD WASHER	£ 0.40	£ 0.34
00.0182	WASHER	£ 0.20	£ 0.17
00.0183	OIL BANJO FIBRE WASHER	£ 0.30	£ 0.26
00.0190	WASHER,3/16" SINGLE SPRING	£ 0.10	£ 0.09
00.0191	WASHER,1/4" SINGLE SPRING	£ 0.10	£ 0.09
00.0192	WASHER,5/16" SINGLE SPRING	£ 0.10	£ 0.09
00.0193	WASHER,3/8" SINGLE SPRING	£ 0.10	£ 0.09
00.0194	WASHER,7/16" SINGLE SPRING	£ 0.10	£ 0.09
00.0200	FIBRE WASHER,3/8"	£ 0.25	£ 0.21
00.0201	FIBRE WASHER,7/16"	£ 0.20	£ 0.17
00.0203	FIBRE WASHER,1/4"	£ 0.20	£ 0.17
00.0205	FIBRE WASHER,2BA	£ 0.20	£ 0.17
00.0211	SPIGOT NUT,1/4"-26TPI	£ 1.00	£ 0.85
00.0213	SPIGOT NUT,5/16"-26TPI	£ 1.00	£ 0.85
00.0214	NUT,5/16"-22BSF	£ 0.30	£ 0.26
00.0216	PUSH ROD ADJUSTER NUT	£ 0.65	£ 0.55
00.0217	CYLINDER BASE NUT	£ 3.00	£ 2.55

PART NO	DESCRIPTION	PRICE + VAT	PRICE -VAT
00.0220	NUT,7/16"-26TPI THIN	£ 0.50	£ 0.43
00.0221	TIMING PINION NUT (LEFT HAND THREAD)	£ 2.00	£ 1.70
00.0230	TIMING SIDE AXLE NUT	£ 2.50	£ 2.13
00.0233	BIG END NUT	£ 3.00	£ 2.55
00.0234	DRIVE SIDE AXLE NUT	£ 2.75	£ 2.34
00.0236 CA	STEERING COLUMN NUT - CADMIUM	£ 3.00	£ 2.55
00.0236 CR	STEERING COLUMN NUT - CHROME	£ 4.00	£ 3.40
00.0251	ROCKER BOX SIDE COVER STUD	£ 0.80	£ 0.68
00.0261	STUD,4.5/8"-1/4 26TPI	£ 2.00	£ 1.70
00.0270	STUD,1.1/16"-5/16 26TPI	£ 1.50	£ 1.28
00.0271	STUD,1.5/32"-5/16 26TPI	£ 1.50	£ 1.28
00.0272	STUD,1.1/4"-5/16 26TPI	O/S	
00.0273	STUD,3.3/16"-5/16 26TPI	£ 1.75	£ 1.49
00.0274	STUD,3.3/8"-5/16 26TPI	£ 1.75	£ 1.49
00.0275	STUD,3.9/16"-5/16 26TPI	O/S	
00.0277	STUD,4.5/16"-5/16 26TPI	£ 1.75	£ 1.49
00.0278	STUD,4.9/16"-5/16 26TPI	£ 1.75	£ 1.49
00.0280	STUD,5.3/16"-5/16 26TPI	£ 1.75	£ 1.49
00.0290	USE 01.1373		
00.0291	CARB FIXING STUD	£ 1.75	£ 1.49
00.0292	NUT	£ 1.75	£ 1.49
00.0300	CYLINDER BASE STUD	£ 2.00	£ 1.70
00.0302	STUD,3.11/16"-3/8 26TPI	£ 1.75	£ 1.49
00.0303	STUD,4.1/2"-3/8 26TPI	£ 1.75	£ 1.49
00.0304	STUD,4.7/8"-3/8 26TPI	£ 1.75	£ 1.49
00.0312	STUD,3.11/16"-7/16 26TPI	£ 1.75	£ 1.49
00.0313	STUD,4.11/16"-7/16 26TPI	£ 1.75	£ 1.49
00.0315	CHAINCASE STUD 6.7/8"	£ 3.00	£ 2.55
00.0316	CHAINCASE STUD 7.7/16"	£ 3.00	£ 2.55
00.0318	STUD,4.9/16"-7/16 26 TPI	£ 1.75	£ 1.49
00.0340	BOLT,7/16"-1/4 WHIT	£ 1.00	£ 0.85
00.0341	BOLT,9/16"-1/4 WHIT	£ 1.00	£ 0.85
00.0342	BOLT,11/16"-1/4 26TPI	£ 1.10	£ 0.94
00.0343	BOLT,13/16"-1/4 26TPI	O/S	
00.0344	BOLT,31/32"-1/4 26TPI	O/S	
00.0345	BOLT,1.3/16"-1/4 26TPI	O/S	
00.0346	BOLT,1.7/16"-1/4 26TPI	£ 1.50	£ 1.28
00.0347	BOLT,1.5/8"-1/4 26TPI	O/S	
00.0348	OIL LEVEL PLUG	£ 0.80	£ 0.68
00.0350	BOLT,2.5/16"-1/4 26TPI	£ 1.50	£ 1.28
00.0361	BOLT,9/16"-5/16 26TPI	£ 1.50	£ 1.28
00.0362	BOLT,5/8"-5/16 26TPI	£ 1.50	£ 1.28
00.0363	BOLT,3/4"-5/16 26TPI	£ 1.50	£ 1.28
00.0364	BOLT,15/16"-5/16 26TPI	£ 1.50	£ 1.28
00.0365	BOLT,1.1/16"-5/16 26TPI	O/S	
00.0366	BOLT,1.1/4"-5/16 26TPI	£ 1.50	£ 1.28
00.0368	BOLT,1.1/2"-5/16 26TPI	£ 1.50	£ 1.28
00.0369	BOLT,1.5/8"-5/16 26TPI	£ 1.50	£ 1.28
00.0370	BOLT,1.3/4"-5/16 26TPI	£ 1.50	£ 1.28
00.0372	BOLT,2.1/8"-5/16 26TPI	O/S	
00.0376	BOLT,2.11/16"-5/16 26TPI	£ 1.50	£ 1.28
00.0402	BOLT,3/4"-3/8 26TPI	£ 1.50	£ 1.28
00.0403	BOLT,1.3/16"-3/8 26TPI	£ 1.50	£ 1.28
00.0407	BOLT,1.11/16"-3/8 26TPI	O/S	
00.0410	BOLT,2.1/8"-3/8 26TPI	£ 1.80	£ 1.53
00.0413	BOLT,7/8"-3/8 26TPI	O/S	
00.0414	BOLT,1.1/4"-3/8 26TPI	O/S	
00.0440	BOLT,1/2"-OBA	£ 0.80	£ 0.68
00.0450	SCREW,3/8"-2BA ROUNDHEAD	£ 0.25	£ 0.21
00.0451	SCREW,1/2"-2BA	£ 0.20	£ 0.17

PART NO	DESCRIPTION	PRICE + VAT	PRICE -VAT
00.0452	SCREW,3/4"-2BA	£ 0.20	£ 0.17
00.0453	SCREW,1"-2BA	£ 0.20	£ 0.17
00.0455	SCREW,11/16"-2BA	£ 0.30	£ 0.26
00.0456	SCREW,1.1/2"-2BA	£ 0.20	£ 0.17
00.0457	SCREW	£ 0.20	£ 0.17
00.0470	SCREW	£ 0.15	£ 0.13
00.0482	SCREW 1.1/16" BY 1/4"	£ 1.15	£ 0.98
00.0484	SCREW 15/16" BY 1/4"	£ 1.00	£ 0.85
00.0485	SCREW 1/4"-1/4 26 TPI	£ 1.25	£ 1.06
00.0486	SCREW	£ 0.25	£ 0.21
00.0508	UNION FOR ROCKERBOX OIL PIPE	£ 2.40	£ 2.04
00.0510	OIL TANK FILTER	£ 5.30	£ 4.51
00.0513	NUT FOR PETROL PIPE UNION	£ 1.00	£ 0.85
00.0570	WOODRUFF KEY	£ 1.00	£ 0.85
00.0572	WOODRUFF KEY	£ 1.00	£ 0.85
00.0573	WOODRUFF KEY	£ 1.00	£ 0.85
00.0575	CRANKCASE DRAIN PLUG	£ 2.00	£ 1.70
00.0576	OIL FEED VALVE	O/S	
00.0579	DOWEL	£ 0.40	£ 0.34
00.0580	CHAINCASE CAP CORK WASHER	£ 0.40	£ 0.34
00.0581	CARBURETTOR GASKET	£ 0.50	£ 0.43
00.0582	OIL PUMP END CAP GASKET	£ 0.40	£ 0.34
00.0583	OIL FILTER CAP CORK WASHER	£ 0.40	£ 0.34
00.0591	OIL PUMP END CAP BOLT	£ 1.00	£ 0.85
00.0592	TAPPET ADJUSTER	£ 4.50	£ 3.83
00.0594	GEARBOX EYE BOLT	£ 4.00	£ 3.40
00.0597	SEAT LUG STUD	£ 4.00	£ 3.40
00.0599	DRAIN PLUG	£ 1.40	£ 1.19
00.0610	CUSH DRIVE NUT	£ 3.75	£ 3.19
00.0611	DYNAMO NUT	£ 2.00	£ 1.70
00.0615CA	BRAKE ROD ADJUSTER (CADMIUM)	£ 5.30	£ 4.51
00.0615CR	BRAKE ROD ADJUSTER (CHROME)	£ 8.25	£ 7.02
00.0621	FRAME UNITING NUT	£ 2.00	£ 1.70
00.0623	ROCKER BOX SIDE COVER NUT	£ 1.50	£ 1.28
00.0633	CHAIN ADJUSTER COLLAR	£ 0.60	£ 0.51
00.0638	EXHAUST TAPPET COLLAR	£ 3.00	£ 2.55
00.0639	SPACER	£ 0.60	£ 0.51
00.0650	USE 01.5780		
00.0651	CAM BUSH	£ 5.00	£ 4.26
00.0652	CAM BUSH	£ 7.00	£ 5.96
00.0661	INLET TAPPET GUIDE	£ 14.00	£ 11.91
00.0662	EXHAUST TAPPET GUIDE	£ 14.00	£ 11.91
00.0670	INLET TAPPET (SAME AS 01.7316)	£ 14.00	£ 11.91
00.0671	EXHAUST TAPPET (SAME AS 01.7024)	£ 14.00	£ 11.91
00.0676	INLET VALVE	£ 12.00	£ 10.21
00.0677	EXHAUST VALVE	£ 12.00	£ 10.21
00.0678	USE 01.3988 AND DISCARD VALVE CAP 00.0685		
00.0679	USE 01.3989 AND DISCARD VALVE CAP 00.0685		
00.0685	VALVE CAP	£ 3.50	£ 2.98
00.0686	VALVE COLLET (PAIR)	£ 5.00	£ 4.26
00.0691	PUSHROD TUBE BOTTOM RUBBER	£ 0.75	£ 0.64
00.0700	VALVE LIFTER SPRING	£ 2.00	£ 1.70
00.0701	OIL FEED VALVE SPRING	£ 1.50	£ 1.28
00.0702	SHOCK ABSORBER SPRING 350 cc	£ 9.50	£ 8.09
00.0703	SHOCK ABSORBER SPRING 500 cc	£ 9.50	£ 8.09
00.0704	OIL FILTER SPRING	£ 1.00	£ 0.85
00.0708	DYNAMO NUT CIRCLIP	£ 0.50	£ 0.43
00.0720	PUSHROD SLEEVE END	£ 2.75	£ 2.34
00.0721	PUSH ROD BALL END	£ 3.00	£ 2.55
00.0725	DYNAMO SPROCKET	£ 18.00	£ 15.32

PART NO	DESCRIPTION	PRICE + VAT	PRICE -VAT
00.0726	MAGNETO SPROCKET (MAG END)	£ 15.00	£ 12.77
00.0727	MAGNETO SPROCKET (CAM END)	£ 15.00	£ 12.77
00.0735	BRAKE ROD YOKE	£ 9.00	£ 7.66
00.0736	CLEVIS PIN	£ 1.00	£ 0.85
00.0739	NUT	£ 0.20	£ 0.17
00.0750	PISTON CIRCLIP	£ 0.50	£ 0.43
00.0755	C/CASE RELEASE PIPE	O/S	
00.0760	TIMING SIDE AXLE	£ 40.00	£ 34.04
00.0765	CAMSHAFT BUSH CAP	£ 0.75	£ 0.64
00.0770	OIL PUMP SPINDLE	£ 50.00	£ 42.55
00.0772	OIL PUMP END CAP (REAR)	£ 4.00	£ 3.40
00.0773	OIL PUMP END CAP (FRONT)	£ 11.00	£ 9.36
00.0780	USE 01.4457		
00.0785	CROSSHEAD FOR G/BOX ADJUSTER	£ 3.50	£ 2.98
00.0791	DYNAMO STRAP HINGE PIN	£ 1.50	£ 1.28
00.0795CA	OIL FILTER CAP (CADMIUM)	£ 15.00	£ 12.77
00.0795CR	OIL FILTER CAP (CHROME)	£ 20.00	£ 17.02
00.0796	OIL FILTER ELEMENT	£ 6.00	£ 5.11
00.0797	OIL FILTER CAP WASHER	£ 1.00	£ 0.85
00.0805	FORK CROWN RACE	£9.00	£ 7.66
00.0806	FRAME RACE	£9.00	£ 7.66
00.0812	STEERING DAMPER DISC	£ 3.00	£ 2.55
00.0830	SHOCK ABSORBER CAM	£ 33.00	£ 28.09
00.0831	SHOCK ABSORBER SPRING CAP	£ 5.00	£ 4.26
00.0835	CRANKCASE RELEASE VALVE DIAPRAGM	£ 1.00	£ 0.85
00.0836	CRANKCASE RELEASE VALVE BODY	£ 14.00	£ 11.91
01.0017	VALVE SPRING SEAT	£ 6.00	£ 5.11
01.0079	OIL PUMP GUIDE PIN	£ 2.00	£ 1.70
01.0093	SWINGING ARM FELT WASHER	£ 1.25	£ 1.06
01.0094	SWINGING ARM CAP SPOKE	£ 0.75	£ 0.64
01.0095	SWINGING ARM CAP R/H	£ 2.75	£ 2.34
01.0096	SWINGING ARM CAP L/H	£ 2.75	£ 2.34
01.0098	SWINGING ARM CAP GASKET	£ 0.30	£ 0.26
01.0099	SWINGING ARM BUSH	£ 8.00	£ 6.81
01.0116	SWINGING ARM SPINDLE	£ 10.00	£ 8.51
01.0138	OIL PUMP GUIDE PIN SCREW	£ 5.50	£ 4.68
01.0262	JAMPOT RUBBER MOUNTING BUSH	£ 1.30	£ 1.11
01.0312	CONNECTING ROD	£ 60.00	£ 51.06
01.0339	TWIN MAGNETO FLANGE GASKET - THICK TYPE	£ 0.60	£ 0.51
01.0347	REAR BRAKE ANCHOR BOLT 2.17/64"	£ 3.25	£ 2.77
01.0360	FRONT FORK BUFFER SPRING	£ 6.00	£ 5.11
01.0372	SPEEDO G/BOX LOCK NUT (USE 02.1593)		
01.0437	BEARING ADJUSTER LOCK RING	£ 5.00	£ 4.26
01.0474	TWIN CAMSHAFT BUSH PLAIN	£ 7.00	£ 5.96
01.0579	WHEEL BEARING FELT SEAL	£ 1.00	£ 0.85
01.0589	SHOCK ABSORBER BOLT WASHER	£ 1.20	£ 1.02
01.0624	MUDGUARD STUD	£ 1.50	£ 1.28
01.0625	MANIFOLD STUD 1.11/16"	£ 1.40	£ 1.19
01.0628	MAIN BEARING SPACER	£ 2.25	£ 1.91
01.0629	ENGINE SPROCKET SPACER	£ 3.00	£ 2.55
01.0643	INLET VALVE OILWAY SCREW	£ 1.50	£ 1.28
01.0644	INNER VALVE SPRING	£ 3.75	£ 3.19
01.0645	OUTER VALVE SPRING	£ 4.00	£ 3.40
01.0646	VALVE SPRING SEAT	£ 4.00	£ 3.40
01.0647	VALVE SPRING SPACER	£ 1.20	£ 1.02
01.0650	350 CC GUDGEON PIN	£ 9.00	£ 7.66
01.0651	500 CC GUDGEON PIN	O/S	
01.0653	THRUST WASHER	£ 4.00	£ 3.40
01.0672	PUSHROD TUBE TOP RUBBER	£ 0.75	£ 0.64
01.0676	CARBURETTOR SPACER 1" BORE	£ 10.00	£ 8.51

PART NO	DESCRIPTION	PRICE + VAT	PRICE -VAT
01.0690	TOOLBOX SCREW	£ 6.00	£ 5.11
01.0692	STEEL FORK BUSH	O/S	
01.0693	FRONT STAND BOLT	£ 1.50	£ 1.28
01.0694	FRONT STAND BOLT	£ 1.50	£ 1.28
01.0696	SPEEDO BRACKET	£ 7.00	£ 5.96
01.0697	DAMPER TUBE BOLT	£ 2.85	£ 2.43
01.0698	FRONT FORK LEATHER WASHER	£ 1.25	£ 1.06
01.0699	FORK OIL SEAL PAPER WASHER	£ 0.50	£ 0.43
01.0700	FORK TUBE BUSH (USE 01.5286)		
01.0701	HEADLAMP BRACKET THREADED RING	£ 6.00	£ 5.11
01.0702	HEADLAMP BRACKET RING	£ 3.00	£ 2.55
01.0703	HEADLAMP BRACKET CHROME RING	£ 8.00	£ 6.81
01.0706	DAMPER TUBE FIBRE WASHER	£ 0.30	£ 0.26
01.0708	REAR BRAKE DRUM TAB WASHER	£ 1.20	£ 1.02
01.0709CA	FORK TUBE BOLT WASHER (CADMIUM)	£ 1.20	£ 1.02
01.0709CR	FORK TUBE BOLT WASHER (CHROME)	£ 1.75	£ 1.49
01.0710	FORK BUSH CIRCLIP	N/A	
01.0712CA	FORK STEM DOMED NUT (CADMIUM)	£ 6.00	£ 5.11
01.0712CR	FORK STEM DOMED NUT (CHROME)	£ 9.40	£ 8.00
01.0713	FORK SLIDER CAP STUD	£ 1.50	£ 1.28
01.0714	FORK DAMPER CIRCLIP (USE 01.6339)		
01.0715	FORK STEM CIRCLIP	£ 1.00	£ 0.85
01.0716	HEADLAMP BRACKET FIXING SCREW	£ 0.75	£ 0.64
01.0717	USE 01.6718		
01.0718	USE 01.7569		
01.0720	USE 01.6304		
01.0724	FRONT STAND BOLT WASHER	£ 0.45	£ 0.38
01.0734	BRAKE DRUM FIXING BOLT	£ 1.50	£ 1.28
01.0740	REAR HUB CIRCLIP	£ 1.40	£ 1.19
01.0741	USE 01.8094		
01.0742	USE 01.8095		
01.0743	REAR HUB OIL SEAL SPACING RING	£ 2.60	£ 2.21
01.0745	REAR HUB BEARING ADJUSTING RING	£ 6.50	£ 5.53
01.0788	REAR STAND BOLT	£ 2.00	£ 1.70
01.0795	FORK SLIDER BOLT 5/16 BSF	£ 1.20	£ 1.02
01.0807	STEERING DAMPER STUD	£ 4.00	£ 3.40
01.0818	MAGNETO SHIELD	£ 12.00	£ 10.21
01.0819	FRONT ENGINE PLATE	£ 7.50	£ 6.38
01.0821	MAGNETO PLATFORM SPACER 3/8 BORE	£ 1.00	£ 0.85
01.0822	MAGNETO PLATFORM SPACER 5/16 BORE	£ 1.00	£ 0.85
01.0823	MAGNETO PLATFORM STUD	£ 1.75	£ 1.49
01.0824	MAGNETO PLATFORM STUD	£ 1.75	£ 1.49
01.0843	USE 02.1261		
01.0847	FOOTREST RUBBER	£ 2.20	£ 1.87
01.0850	USE 01.2798		
01.0851	BATTERY CARRIER CLAMP NUT	£ 1.25	£ 1.06
01.0895	FRONT ENGINE PLATE	£ 12.00	£ 10.21
01.0906/7G	KNEE GRIPS MATCHLESS - GENUINE	£ 32.00	£ 27.23
01.0906/7P	KNEE GRIPS MATCHLESS - PATTERN	£ 13.00	£ 11.06
01.0911	FOOTREST ROD SPACER 13/16"	£ 0.85	£ 0.72
01.0912	FOOTREST ROD WASHER	£ 0.90	£ 0.77
01.0913	USE 01.8604		
01.0924	FOOTREST ROD SPACER 3.1/2"	£ 2.00	£ 1.70
01.0926	DYNAMO CLAMP CROSSBAR	£ 3.65	£ 3.11
01.0927	CYLINDER BASE GASKET - THICK TYPE	£ 0.80	£ 0.68
01.0930	ROCKERBOX BOLT	£ 2.00	£ 1.70
01.0932	CYLINDER HEAD BOLT	£ 3.75	£ 3.19
01.0934	OIL FEED VALVE BODY	£ 1.50	£ 1.28
01.0946	CYLINDER HEAD GASKET	£ 4.00	£ 3.40
01.0950	TAPPET	£ 12.50	£ 10.64

PART NO	DESCRIPTION	PRICE + VAT	PRICE -VAT
01.0952	PUSH ROD COVER TUBE (PAIR)	£ 20.00	£ 17.02
01.0953	CHAINCASE SPACER 1.13/32"	£ 2.25	£ 1.91
01.0956	USE 01.4021		
01.0957	GEARBOX TOP BOLT 5.3/16"	£ 4.00	£ 3.40
01.0963	DYNAMO STRAP HINGE PIN	£ 1.20	£ 1.02
01.0966	MAGNETO PLATFORM	£ 15.00	£ 12.77
01.0967	WASHER 3/16"	£ 0.80	£ 0.68
01.1003CA	PETROL TANK/OIL TANK CAP (CADMIUM)	£ 9.50	£ 8.09
01.1003CR	PETROL/OIL TANK CAP (CHROME)	£ 20.00	£ 17.02
01.1006	KNEE PAD (LEFT HAND)	£ 15.00	£ 12.77
01.1007	KNEE PAD PLATE (RIGHT HAND)	£ 6.50	£ 5.53
01.1008	KNEE PAD PLATE (LEFT HAND)	£ 6.50	£ 5.53
01.1012	SPOKE	£ 0.60	£ 0.51
01.1013	SPOKE NIPPLE	£ 0.40	£ 0.34
01.1014	SPOKE	£ 0.60	£ 0.51
01.1015	SPOKE	£ 0.60	£ 0.51
01.1017	NIPPLE	£ 0.40	£ 0.34
01.1042	ENGINE SPROCKET 18 TEETH	£ 25.00	£ 21.28
01.1052	CYLINDER BARRELL	£ 70.00	£ 59.57
01.1053	CYLINDER HEAD	£ 70.00	£ 59.57
01.1055	CHAINCASE SPACER 1.61/64"	£ 1.00	£ 0.85
01.1087	PUSHROD TUBE STEEL WASHER	£ 1.00	£ 0.85
01.1095	PETROL TANK BOLT	£ 3.50	£ 2.98
01.1111	VALVE GUIDE CIRCLIP	£ 0.50	£ 0.43
01.1126	BUFFER SPRING	£ 3.50	£ 2.98
01.1130	USE 01.4398		
01.1188	PISTON CIRCLIP PLIERS	£ 3.50	£ 2.98
01.1191	COMPRESSION PLATE	£ 7.00	£ 5.96
01.1236	USE 01.1518		
01.1238	FRAME STUD 6"	£ 1.75	£ 1.49
01.1273	TOP PIVOT BOLT 2.1/2"-3/8"	£ 3.50	£ 2.98
01.1286	FRONT STAND	£ 25.00	£ 21.28
01.1290	WHEEL SPINDLE COLLAR	£ 4.25	£ 3.62
01.1313	BRAKE ROD BARE	£ 4.00	£ 3.40
01.1317	USE 01.6718		
01.1373	NUT 1/4"-26TPI	£ 0.30	£ 0.26
01.1374	OIL PIPE RUBBER CONNECTION	£ 0.60	£ 0.51
01.1381	ROCKER OIL PIPE RUBBER CONNECTION	£ 0.60	£ 0.51
01.1392	SPEEDO CABL CLIP	£ 1.50	£ 1.28
01.1484	HEAD STEADY BOLT	£ 1.75	£ 1.49
01.1518	PILLION FOOTREST	£ 9.00	£ 7.66
01.1543	TWIN CRANKSHAFT ROLLER BEARING	£ 37.00	£ 31.49
01.1547	CENTRE WEB BEARING (PAIR)	£ 15.00	£ 12.77
01.1557	OIL PUMP GEAR	£ 12.50	£ 10.64
01.1560	OIL PUMP GEAR	£ 12.50	£ 10.64
01.1599	PILLION FOOTREST BOLT	£ 1.75	£ 1.49
01.1617	OIL PUMP BODY GASKET	£ 0.40	£ 0.34
01.1620	CAMSHAFT GEAR	£ 25.00	£ 21.28
01.1621	INTERMEDIATE GEAR	£ 25.00	£ 21.28
01.1623	INTERMEDIATE GEAR SHAFT	£ 10.00	£ 8.51
01.1626	CAM FOLLOWER SPINDLE	£ 5.00	£ 4.26
01.1627	CAM FOLLOWER SPACER, 1.19/64"	£ 1.50	£ 1.28
01.1628	CYLINDER STUD	£ 3.00	£ 2.55
01.1633	INLET MANIFOLD	£ 30.00	£ 25.53
01.1634	CYLINDER HEAD STUD SPACER	£ 1.50	£ 1.28
01.1635	CYLINDER HEAD NUT - DOMED	£ 3.00	£ 2.55
01.1648CA	CRANKCASE CAP (CADMIUM)	£ 4.65	£ 3.96
01.1648CR	CRANKCASE CAP (CHROME)	£ 7.50	£ 6.38
01.1649	OIL PIPE BANJO BOLT	£ 6.00	£ 5.11
01.1652	BANJO BOLT ADAPTOR	£ 4.00	£ 3.40

PART NO	DESCRIPTION	PRICE + VAT	PRICE -VAT
01.1653	CAMSHAFT GEAR NUT	£ 3.75	£ 3.19
01.1654	CAMSHAFT BUSH (FLANGED)	£ 9.50	£ 8.09
01.1657	FIBRE WASHER	£ 0.20	£ 0.17
01.1715	CYLINDER HEAD GASKET	£ 3.50	£ 2.98
01.1716	CYLINDER BASE GASKET	£ 0.60	£ 0.51
01.1731	GUDGEON PIN	£ 7.50	£ 6.38
01.1738	TOOLBOX STAY	£ 4.00	£ 3.40
01.1760	ROCKER SPINDLE CLAMP BOLT	£ 2.75	£ 2.34
01.1771	INLET MANIFOLD GASKET	£ 0.35	£ 0.30
01.1775	ENGINE SPROCKET BOLT	£ 2.00	£ 1.70
01.1776	CRANKSHAFT PINION BOLT	£ 1.80	£ 1.53
01.1800	DYNAMO PINION	£ 22.00	£ 18.72
01.1801	DYNAMO STRAP	£ 6.50	£ 5.53
01.1802	DYNAMO STRAP NUT	£ 1.20	£ 1.02
01.1803	DYNAMO STRAP STUD	£ 1.05	£ 0.89
01.1820	TIMING COVER SCREW(SET OF 10)	£ 13.00	£ 11.06
01.1826	CENTRE WEB STUD	£ 1.25	£ 1.06
01.1834	OIL PUMP STUD	£ 1.50	£ 1.28
01.1835	FRONT NUMBER PLATE	£ 8.25	£ 7.02
01.1836	FRONT NUMBER PLATE PILLAR	£ 5.25	£ 4.47
01.1843	CENTRE WEB NUT	£ 0.35	£ 0.30
01.1846	ROCKER SPINDLE CLAMP NUT	£ 0.30	£ 0.26
01.1889	FRONT NUMBER PLATE RUBBER FILLET	£ 2.00	£ 1.70
01.1914	USE 01.5781		
01.1915	OIL PUMP GUIDE SCREW	£ 1.50	£ 1.28
01.1916	OIL PUMP GUIDE PIN	£ 1.00	£ 0.85
01.1924	OIL FEED PIPE UNION	£ 4.75	£ 4.04
01.1928	PETROL TANK BADGE - MATCHLESS	£ 40.50	£ 34.47
01.1942	USE 01.5781		
01.2019	OIL TANK DRAIN SCREW	£ 1.50	£ 1.28
01.2032	OIL SEAL	£ 3.50	£ 2.98
01.2113	EXHAUST PIPE STAY	£ 4.70	£ 4.00
01.2159	VALVE COLLET (PAIR)	£ 3.50	£ 2.98
01.2176	VALVE SPRING	£ 2.30	£ 1.96
01.2177	VALVE SPRING	£ 2.60	£ 2.21
01.2233	TIMING SIDE BUSH PEG	£ 0.50	£ 0.43
01.2260	FORK TUBE INNER BOLT	£ 10.00	£ 8.51
01.2268	USE 01.7105		
01.2291	BATTERY CARRIER CLAMP TRUNION	£ 1.00	£ 0.85
01.2336	OIL PUMP GEAR	£ 12.50	£ 10.64
01.2337	OIL PUMP GEAR	£ 12.50	£ 10.64
01.2399	LOCKING NUT	£ 0.60	£ 0.51
01.2436	OIL SEAL RING	£ 3.00	£ 2.55
01.2443	FELT SEAL	£ 0.65	£ 0.55
01.2472	NIPPLE	£ 0.20	£ 0.17
01.2505	LOCKRING	£ 10.00	£ 8.51
01.2507	WHEEL BEARING ADJUSTER RING	£ 10.00	£ 8.51
01.2508	CENTRE WEB	£ 30.00	£ 25.53
01.2511	OIL SEAL CUP	£ 2.00	£ 1.70
01.2513	WASHER	£ 0.30	£ 0.26
01.2516	BEARING SPACER	£ 6.50	£ 5.53
01.2524	WHEEL NUT	£ 2.50	£ 2.13
01.2525	WHEEL NUT WASHER	£ 0.60	£ 0.51
01.2542B	CRANKSHAFT BALLBEARING	£ 15.00	£ 12.77
01.2542R	CRANKSHAFT ROLLER BEARING	£ 32.00	£ 27.23
01.2545	BALL BEARING	£ 7.50	£ 6.38
01.2565	MUDGUARD BOLT 1/2"-2BA	£ 0.65	£ 0.55
01.2569	HEADLAMP BRACKET CHROME RING	£ 7.50	£ 6.38
01.2581	BATTERY CARRIER CHROME STRAP	£ 12.00	£ 10.21
01.2620	HANDLEBAR LUG BALL RACE	£9.00	£ 7.66

PART NO	DESCRIPTION	PRICE + VAT	PRICE -VAT
01.2722	ROCKER AXLE FELT RING	£ 1.00	£ 0.85
01.2756	REAR WHEEL SPINDLE SPACER	£ 3.50	£ 2.98
01.2798	BATTERY CARRIER CLAMP SCREW	£ 0.70	£ 0.60
01.2825	FRONT WHEEL SPINDLE WITH BEARINGS - GENUINE	£ 140.00	£ 119.15
01.2870	HANDLEBAR CLIP STUD	£ 1.20	£ 1.02
01.2880	SADDLE SPRING STUD	£ 2.50	£ 2.13
01.2892	BRAKE SHOE SPRING	£ 2.50	£ 2.13
01.2912	CHAINCASE BOLT	£ 1.75	£ 1.49
01.2967	OIL PUMP PLUNGER	£ 38.50	£ 32.77
01.2999	GEARBOX ADJUSTER SPACER	£ 1.20	£ 1.02
01.3077	NUT	£ 0.40	£ 0.34
01.3091	RUBBER SEAL	£ 1.50	£ 1.28
01.3291	BRAKE SHOE THRUST PIN	£ 2.25	£ 1.91
01.3324	OIL TANK CAP (PLAIN)	£ 8.50	£ 7.23
01.3325	PETROL TANK CAP	£ 8.50	£ 7.23
01.3326	NUT	£ 2.50	£ 2.13
01.3332	NON RETURN VALVE SCREW	£ 3.00	£ 2.55
01.3345	OIL PUMP ASSEMBLY (EXCHANGE)	£ 90.00	£ 76.60
01.3347	FORK SHUTTLE VALVE	£ 5.00	£ 4.26
01.3351	REV COUNTER SLEEVE NUT	£ 1.85	£ 1.57
01.3352	REV COUNTER WASHER	£ 0.60	£ 0.51
01.3361	FORK PLATE	£ 1.75	£ 1.49
01.3483	BRAKE PLATE NUT	£ 2.25	£ 1.91
01.3602	ROCKERBOX BOLT	£ 1.25	£ 1.06
01.3620	BRAKE SHOES (PAIR , EXCHANGE ONLY)	£ 23.00	£ 19.57
01.3629	HANDLEBAR CLAMP	£ 15.00	£ 12.77
01.3664	SPRING	£ 0.65	£ 0.55
01.3685	FILLER CAP WASHER	£ 1.00	£ 0.85
01.3694/5	HEADLAMP BRACKETS (GENUINE/PAIR)	£ 35.00	£ 29.79
01.3793	CYLINDER HEAD GASKET	£ 3.00	£ 2.55
01.3837	FOTREST ROD SPACER	£ 1.00	£ 0.85
01.3840	BATTERY CARRIER STAY	£ 4.00	£ 3.40
01.3848	BATTERY CARRIER STAY SCREW	£ 0.45	£ 0.38
01.3870	REAR WHEEL SPINDLE	£ 9.50	£ 8.09
01.3928/9	CS/CSR FRONT MUDGUARD STAYS (PAIR)	£ 25.00	£ 21.28
01.3933	PUSHROD TUBE BARE	£ 2.50	£ 2.13
01.3939	CHAINCASE REAR HALF	£ 45.00	£ 38.30
01.3948	ROCKER ARM - TAPPET END	£ 15.00	£ 12.77
01.3969	VALVE LIFTER LEVER	£ 17.50	£ 14.89
01.3970	VALVE LIFTER SPRING	£ 3.25	£ 2.77
01.3984	ROCKERBOX GASKET	£ 1.20	£ 1.02
01.3985	INLET VALVE 350CC	£ 14.00	£ 11.91
01.3986	EXHAUST VALVE 350CC	£ 14.00	£ 11.91
01.3987	GEARBOX ADJUSTER	£ 6.25	£ 5.32
01.3988	INLET VALVE 500CC	£ 14.00	£ 11.91
01.3989	EXHAUST VALVE 500CC	£ 14.00	£ 11.91
01.3990	USE 01.4044		
01.4014	14 TEETH ENGINE SPROCKET	O/S	
01.4018	18 TEETH ENGINE SPROCKET	£ 28.00	£ 23.83
01.4021	21 TEETH ENGINE SPROCKET	O/S	
01.4033	TOOL BOX CAP	£ 28.00	£ 23.83
01.4034	PETROL TANK CAP	£ 26.00	£ 22.13
01.4042	VALVE COLLET (PAIR)	£ 4.00	£ 3.40
01.4044	VALVE SPRING TOP COLLAR	£ 9.50	£ 8.09
01.4117	STOP PLATE WASHER	£ 0.20	£ 0.17
01.4139	PROP STAND BOLT NUT	£ 0.40	£ 0.34
01.4141	DYNAMO CORK WASHER	£ 0.50	£ 0.43
01.4147	CRANKCASE/ENGINE PLATE BOLT	£ 1.75	£ 1.49
01.4154	TWIN CAMFOLLOWER (EACH)	£ 20.00	£ 17.02
01.4163	INLET VALVE	£ 14.00	£ 11.91

PART NO	DESCRIPTION	PRICE + VAT	PRICE -VAT
01.4165	EXHAUST VALVE	£ 14.00	£ 11.91
01.4168	VALVE SPRING COLLAR	£ 4.75	£ 4.04
01.4169	VALVE SPRING SEAT	£ 4.00	£ 3.40
01.4170	INLET VALVE GUIDE	£ 5.80	£ 4.94
01.4171	EXHAUST VALVE GUIDE	£ 5.80	£ 4.94
01.4195	HORN BRACKET (SHORT)	£ 4.00	£ 3.40
01.4202	REAR ENGINE PLATE COVER	£ 24.00	£ 20.43
01.4222	TWIN ROCKER SPINDLE	£ 20.00	£ 17.02
01.4226	SPRING WASHER FOR TWIN ROCKER SPINDLE	£ 0.60	£ 0.51
01.4229	ROCKERBOX FILLET RUBBER	£ 1.35	£ 1.15
01.4235	CRANKCASE FELT FILTER	£ 6.00	£ 5.11
01.4240	FELT OIL FILTER RELIEF VALVE	£ 4.40	£ 3.74
01.4241	OIL FILTER SPRING	£ 1.50	£ 1.28
01.4245	ROCKER BUSH	£ 3.50	£ 2.98
01.4247	OIL DISTRIBUTOR CAP	£ 9.75	£ 8.30
01.4275	ROCKER SPINDLE PLAIN WASHER	£ 0.35	£ 0.30
01.4276	COMPRESSION PLATE (TWIN)	£ 7.00	£ 5.96
01.4278	DOMED NUT 1/4"-26 TPI	£ 2.45	£ 2.09
01.4280	USE 01.5279		
01.4281	CON ROD STUD	£ 3.00	£ 2.55
01.4283	PISTON CIRCLIP	£ 0.50	£ 0.43
01.4292	CRANKCASE THROAT BOLT	£ 2.40	£ 2.04
01.4309	CIRCLIP	£ 1.35	£ 1.15
01.4340	HEADLAMP BOLT SPACER	£ 0.65	£ 0.55
01.4341	USE 02.1256		
01.4352	ROCKER SPINDLE BUSH	£ 2.50	£ 2.13
01.4354	USE 01.6718		
01.4355	FRONT FORK SEALING RING	£ 0.90	£ 0.77
01.4357	CENTRE PANEL SCREW	£ 6.00	£ 5.11
01.4373	ROCKER BOX STAY	£ 9.00	£ 7.66
01.4380	USE 01.7015		
01.4381	ROCKERBOX COVER	£ 12.00	£ 10.21
01.4387	REAR HUB BEARING SEAL	£ 1.00	£ 0.85
01.4411	ROCKER COVER GASKET	£ 0.50	£ 0.43
01.4412	ROCKERBOX COVER BOLT (SHORT)	£ 2.75	£ 2.34
01.4413	ROCKER COVER BOLT (LONG)	£ 2.75	£ 2.34
01.4456	USE 01.8655		
01.4457	CHAINCASE INSPECTION CAP	£ 12.00	£ 10.21
01.4458	CLIP	£ 1.20	£ 1.08
01.4460	FRONT BRAKE PLATE	£ 25.00	£ 21.28
01.4478	FRAME UNITING STUD	£ 3.00	£ 2.55
01.4484	FOOTREST ROD SPACER 3/16"	£ 0.60	£ 0.51
01.4501	MUDGUARD BRACKET	£ 3.00	£ 2.55
01.4511	TOOLBOX SCREW	£ 6.00	£ 5.11
01.4512	REAR FRAME STUD 12"-7/16"	£ 3.25	£ 2.77
01.4514	REAR BRAKE PEDAL BUSH	£ 5.70	£ 4.85
01.4515	OIL TANK SPACER 5/8"	£ 1.00	£ 0.85
01.4520	BRAKE ROD (BARE)	£ 4.70	£ 4.00
01.4521	TOP SUSPENSION BOLT 3.1/4"	£ 4.75	£ 4.04
01.4523	VALVE LIFTER O'RING	£ 0.65	£ 0.55
01.4559	CHAINGUARD BOLT 2.7/8"	£ 1.75	£ 1.49
01.4577	BOLT - 7/16"-1/4"	£ 0.60	£ 0.51
01.4626	CENTRE STAND BUSH 0.7"	£ 2.75	£ 2.34
01.4627	CENTRE STAND SPRING	£ 8.50	£ 7.23
01.4629	CENTRE STAND STUD	£ 6.50	£ 5.53
01.4630	CENTRE STAND SPACER 4.2"	£ 2.50	£ 2.13
01.4672	REAR FORK BRIDGE BUSH	£ 2.25	£ 1.91
01.4700	SNAIL CAM	£ 17.00	£ 14.47
01.4703	REAR WHEELSPINDLE	£ 10.00	£ 8.51
01.4704	BRAKE PLATE SPACER	£ 3.50	£ 2.98

PART NO	DESCRIPTION	PRICE + VAT	PRICE -VAT
01.4706	HUB BEARING SPACER 2.9/16"	£ 5.00	£ 4.26
01.4710	SNAIL CAM	£ 17.00	£ 14.47
01.4713	PROP STAND BOLT	£ 3.75	£ 3.19
01.4715	PROP STAND	£ 50.00	£ 42.55
01.4736	STUD 5"-5/16"	£ 1.50	£ 1.28
01.4752	OIL PIPE RUBBER CONNECTION	£ 0.60	£ 0.51
01.4796	DYNAMO STRAP SCREW	£ 0.50	£ 0.43
01.4807	BRAKE PLATE ANCHOR BOLT	£ 1.75	£ 1.49
01.4822	BRAKE PEDAL RETURN SPRING	£ 4.50	£ 3.83
01.4839	COMPRESSION PLATE	£ 7.00	£ 5.96
01.4868	REAR HUB BEARING	£ 50.00	£ 42.55
01.4869	REAR WHEEL NUT	£ 1.95	£ 1.66
01.4894	REAR BRAKE PLATE SLEEVE	£ 4.25	£ 3.62
01.4903	CONNECTING ROD NUT	£ 2.00	£ 1.70
01.4912	SPACER 1/2"	£ 1.00	£ 0.85
01.4919	DUAL SEAT FIXING SCREW	£ 3.50	£ 2.98
01.4950	USE 01.6526		
01.4995	PETROL TANK MOUNTING RUBBER (THICK)	£ 0.70	£ 0.60
01.4996	PETROL TANK MOUNTING RUBBER (THIN)	£ 0.60	£ 0.51
01.4997	PETROL TANK BOLT	£ 1.50	£ 1.28
01.4998	PETROL TANK SLEEVE	£ 0.70	£ 0.60
01.4999	PETROL TANK WASHER	£ 0.25	£ 0.21
01.5001	GRUB SCREW	£ 0.65	£ 0.55
01.5017	OIL PUMP PLATE	£ 30.00	£ 25.53
01.5021	WASHER	£ 0.06	£ 0.05
01.5034	OIL FILTER CHAMBER GASKET	£ 0.25	£ 0.21
01.5058	SPRING	£ 1.25	£ 1.06
01.5072	CENTRE WEB SHELLS (PAIR)	£ 15.00	£ 12.77
01.5198	OIL TANK GAUZE	£ 9.70	£ 8.26
01.5204	20 TEETH ENGINE SPROCKET	£ 30.00	£ 25.53
01.5216	TACHO DRIVE NUT	£ 3.50	£ 2.98
01.5246	HORN BRACKET SLEEVE	£ 2.50	£ 2.13
01.5264	ROCKER SPINDLE CLAMP NUT SPANNER	£ 1.65	£ 1.40
01.5270	HEAD STEADY BOLT 1.1/8"	£ 1.75	£ 1.49
01.5273	MAGNETO/TIMING PINION EXTRACTOR	£ 7.50	£ 6.38
01.5278	INTERMEDIATE GEAR BUSH	£ 6.00	£ 5.11
01.5279	CONNECTING ROD STUD RIVET	£ 0.50	£ 0.43
01.5286	FRONT FORK BUSH - BRONZE SUPERIOR TO PLASTIC BUSHES	£ 8.50	£ 7.23
01.5306	WASHER	£ 0.40	£ 0.34
01.5330	WOODRUFF KEY	£ 1.00	£ 0.85
01.5350	CYLINDER STUD	£ 4.70	£ 4.00
01.5351	CYLINDER HEAD SLEEVE NUT	£ 4.00	£ 3.40
01.5353	ONLY AVAILABLE AS A SET -USE 01.5357		
01.5354	ONLY AVAILABLE AS A SET -USE 01.5357		
01.5355	ONLY AVAILABLE AS A SET -USE 01.5357		
01.5356	ONLY AVAILABLE AS A SET -USE 01.5357		
01.5357	ROCKERBOX BOLT SET	£ 24.00	£ 20.43
01.5374	CAMSHAFT PINION EXTRACTOR	£ 7.50	£ 6.38
01.5381	CYLINDER BASE GASKET	£ 0.75	£ 0.64
01.5412	PETROL TANK BOLT 2.11/16"	£ 2.00	£ 1.70
01.5435	COMPRESSION PLATE 1/8"	£ 7.00	£ 5.96
01.5528	OIL PIPE UNION FIBRE WASHER	£ 0.30	£ 0.26
01.5599	OIL PUMP DOWEL PIN	£ 0.50	£ 0.43
01.5646	BOLT	£ 1.75	£ 1.49
01.5667	CENTRE WEB CAP STUD 2.11/16"	£ 2.50	£ 2.13
01.5670	CENTRE WEB	£ 35.00	£ 29.79
01.5780	TIMING SIDE BUSH	£ 19.00	£ 16.17
01.5781	TIMING SIDE AXLE	£ 45.00	£ 38.30
01.5875	CARBURETTOR SPACER 1.1/8" BORE	£ 10.00	£ 8.51
01.6006	SPEEDO GEARBOX SPACER 5/8"	£ 3.00	£ 2.55

PART NO	DESCRIPTION	PRICE + VAT	PRICE -VAT
01.6026	OIL TANK SCREW	£ 1.50	£ 1.28
01.6057	OIL RELIEF VALVE PISTON	£ 1.45	£ 1.23
01.6058	OIL RELIF VALVE SPRING	£ 1.25	£ 1.06
01.6061	JAMPOT SPRING	£ 15.00	£ 12.77
01.6072	DAMPER ROD SLEEVE	£ 3.00	£ 2.55
01.6077	JAMPOT BUSH - BRONZE SUPERIOR TO PLASTIC	£ 8.00	£ 6.81
01.6078	OIL SEAL COLLAR	£ 4.25	£ 3.62
01.6082	JAMPOT LEATHER WASHER	£ 1.75	£ 1.49
01.6103	STUD	£ 1.50	£ 1.28
01.6137	OIL PUMP GASKET	£ 0.40	£ 0.34
01.6138	OIL PUMP GASKET	£ 0.25	£ 0.21
01.6148	FRONT FORK BUFFER RUBBER	£ 0.75	£ 0.64
01.6169	FOOTREST ROD SPACER 3.5/16"	£ 2.00	£ 1.70
01.6179	OIL FILTER HOUSING CAP	£ 18.50	£ 15.74
01.6209	CRANKSHAFT PINION 30 TEETH	£ 24.00	£ 20.43
01.6210	CRANKSHAFT PINION SPACER 7/32"	£ 4.20	£ 3.57
01.6222	NUT	£ 0.60	£ 0.51
01.6228	FRAME SPACER	£ 2.00	£ 1.70
01.6251	JAMPOT BUFFER	£ 2.30	£ 1.96
01.6291	JAMPOT O'RING	£ 0.50	£ 0.43
01.6297	JAMPOT SPRING	£ 15.00	£ 12.77
01.6320	FORK PINCH STUD	£ 1.50	£ 1.28
01.6322	USE 01.6377		
01.6324	JAMPOT FIBRE WASHER	£ 0.50	£ 0.43
01.6339	DAMPER TUBE CIRCLIP	£ 1.25	£ 1.06
01.6342	JAMPOT DAMPER ROD	£ 2.50	£ 2.13
01.6343	DAMPER ROD COLLAR	£ 3.65	£ 3.11
01.6359CA	JAMPOT BOTTOM BOLT (CADMIUM)	£ 2.00	£ 1.70
01.6359CR	JAMPOT BOTTOM BOLT (CHROME)	£ 3.50	£ 2.98
01.6377	FORK INNER TUBE 1.1/8" DIA - PAIR	£ 86.00	£ 73.19
01.6399	CENTRE STAND STOP PLATE	£ 6.00	£ 5.11
01.6406	JAMPOT STANCHION	£ 14.00	£ 11.91
01.6408	TOP SPRING COVER (PAIR)	£ 19.00	£ 16.17
01.6409	USE 02.1255		
01.6410	JAMPOT SPRING	£ 15.00	£ 12.77
01.6435	CENTRE STAND BUSH	£ 3.00	£ 2.55
01.6462	FOOTREST ROD	£ 6.25	£ 5.32
01.6472	CAMSHAFT TUNNEL	£ 3.50	£ 2.98
01.6522	OIL RELIEF SPRING	£ 1.25	£ 1.06
01.6524	OIL RELIEF PISTON	£ 2.50	£ 2.13
01.6526	FRONT FORK SPRING	£ 35.00	£ 29.79
01.6584	SHOCK ABSORBER CAM	£ 25.00	£ 21.28
01.6628	FORK END SPACER	£ 2.80	£ 2.38
01.6633	SHOCK ABSORBER SPRING	£ 7.50	£ 6.38
01.6649	CENTRE WEB SHELL SET STD	£ 16.00	£ 13.62
01.6665	ENGINE SPROCKET 18 TEETH	£ 30.00	£ 25.53
01.6670	CENTRE WEB SHELL SET -.010"	£ 16.00	£ 13.62
01.6671	CENTRE WEB SHELL SET -.020"	£ 16.00	£ 13.62
01.6672	CENTRE WEB SHELL SET -.030"	£ 16.00	£ 13.62
01.6672-40	CENTRE WEB SHELL SET -.040"	£ 16.00	£ 13.62
01.6672-50	CENTRE WEB SHELL SET -.050"	£ 16.00	£ 13.62
01.6672-60	CENTRE WEB SHELL SET -.060"	£ 16.00	£ 13.62
01.6673/4	BREATHER ASSEMBLY	£ 17.50	£ 14.89
01.6677/8	ROCKERBOX OIL FEED PIPE	£ 22.00	£ 18.72
01.6712	SLEEVE NUT	£ 2.70	£ 2.30
01.6718	FORK TOP BOLT	£ 10.00	£ 8.51
01.6791	AIR FILTER	£ 30.00	£ 25.53
01.6845	CENTRE WEB NUT	£ 1.20	£ 1.02
01.6847	USE 02.2088		
01.6848	USE 02.2088		

PART NO	DESCRIPTION	PRICE + VAT	PRICE -VAT
01.6850	DYNAMO DRAW STUD	£ 1.20	£ 1.02
01.6851	DYNAMO DRAW STUD NUT	£ 1.25	£ 1.06
01.6878	ENGINE PLATE	£ 15.00	£ 12.77
01.6944	PUSHROD STEEL WASHER	£ 1.30	£ 1.11
01.6945	SPEEDO BRACKET	£ 11.00	£ 9.36
01.6947	HANDLEBAR CLAMP SCREW	£ 0.70	£ 0.60
01.6962/3	HAIRPIN VALVE SPRING SET	N/A	
01.6962/3C	COIL VALVE SPRING CONVERSION SET FOR 350 & 500 ROAD MODELS - SUPERIOR TO PATTERN HAIRPIN SPRINGS	£ 35.00	£ 29.79
01.7003	BRAKE PLATE LOCATING NUT	£ 3.00	£ 2.55
01.7009	USE 01.5137		
01.7015	FOOTREST ROD	£ 3.75	£ 3.19
01.7017	TOOLBOX STAY	£ 6.50	£ 5.53
01.7019	VALVE GUIDE	£ 5.80	£ 4.94
01.7022	ENGINE PLATE SPACER	£ 0.80	£ 0.68
01.7023	ROCKER BOX GASKET	£ 1.50	£ 1.28
01.7025	BEARING -USE 01.7489 BUSH		
01.7028	ROCKERBOX BOLT	£ 1.75	£ 1.49
01.7029	PUSH ROD COVER TUBE	£ 22.00	£ 18.72
01.7031	CHAIN ADJUSTER BOLT	£ 1.45	£ 1.23
01.7036	TOP SPRING COVER (BLACK-PAIR)	£ 22.00	£ 18.72
01.7038	SPEEDO GEARBOX SPACER	£ 1.75	£ 1.49
01.7041	EXHAUST PIPE STAY	£ 2.50	£ 2.13
01.7042	SILENCER STAY	£ 2.50	£ 2.13
01.7043	USE 01.7047		
01.7044	USE 01.7047		
01.7045	USE 01.7047		
01.7046	USE 01.7047		
01.7047	HEADLAMP BRACKET SET (4 PIECES- GENUINE)	£ 18.00	£ 15.32
01.7049	FRONT BRAKE CABLE YOKE (CHROME)	£ 8.50	£ 7.23
01.7058	PUSHROD ASSEMBLY	£ 9.50	£ 8.09
01.7062	REAR WHEEL SPINDLE	£ 7.85	£ 6.68
01.7075	CYLINDER HEAD BOLT	£ 3.50	£ 2.98
01.7077	USE 01.2722		
01.7091	ENGINE PLATE LEFT SIDE	£ 15.00	£ 12.77
01.7094	CHAINGUARD BOLT	£ 1.25	£ 1.06
01.7095	BRAKE ROD SPRING	£ 1.50	£ 1.28
01.7103	ROCKER AXLE BUSH	£ 7.50	£ 6.38
01.7105	CYLINDER HEAD GASKET	£ 2.50	£ 2.13
01.7112	BRAKE DRUM LOCK WASHER	£ 1.20	£ 1.02
01.7113CR	REAR BRAKE LEVER (CHROME)	£ 23.00	£ 19.57
01.7113PA	REAR BRAKE LEVER (PAINTED)	£ 15.00	£ 12.77
01.7127	FRONT FORK SPRING	£ 15.00	£ 12.77
01.7128	FILLET RUBBER	£ 1.25	£ 1.06
01.7131	REAR STAND SPRING	£ 6.00	£ 5.11
01.7141	MAGNETO CHAINCASE COVER	£ 20.00	£ 17.02
01.7142	CHAINCASE CENTRE BOLT SPACER	£ 1.00	£ 0.85
01.7143	MAGNETO PLATFORM NUT	£ 1.60	£ 1.36
01.7145	DYNAMO STRAP THREADED SLEEVE	£ 1.25	£ 1.06
01.7147	PROP STAND BOLT	£ 2.75	£ 2.34
01.7152	EXHAUST PIPE CLAMP (BARE METAL)	£ 3.00	£ 2.55
01.7168	DYNAMO STRAP CROSSBAR	£ 4.50	£ 3.83
01.7169	DRIVE SIDE AXLE	£ 39.00	£ 33.19
01.7174	REAR BRAKE PEDAL	£ 30.00	£ 25.53
01.7175	REAR BRAKE PEDAL SPINDLE	£ 2.50	£ 2.13
01.7176	REAR BRAKE PEDAL BUSH	£ 1.50	£ 1.28
01.7177	REAR BRAKE PEDAL SPRING	£ 4.00	£ 3.40
01.7178	REAR BRAKE PEDAL ANCHOR BOLT	£ 2.50	£ 2.13
01.7182	TIMING COVER GASKET	£ 0.50	£ 0.43
01.7187	REAR BRAKE ROD BARE	£ 4.00	£ 3.40

PART NO	DESCRIPTION	PRICE + VAT	PRICE -VAT
01.7190	MAGNETO PLATFORM	£ 15.00	£ 12.77
01.7191	CRANKCASE BALL BEARING	£ 17.00	£ 14.47
01.7192	ROCKER AXLE	£ 10.00	£ 8.51
01.7194	MAIN BEARING SPACER WASHER	£ 1.95	£ 1.66
01.7195	HALF TIME PINION	£ 21.00	£ 17.87
01.7197	DYNAMO CLAMP STRAP	£ 9.50	£ 8.09
01.7219	WHEEL BEARING CIRCLIP	£ 1.00	£ 0.85
01.7220	OIL SEAL CUP	£ 3.00	£ 2.55
01.7221	OIL SEAL SPACING WASHER	£ 1.40	£ 1.19
01.7222	OIL SEAL WASHER	£ 0.65	£ 0.55
01.7223	BEARING ADJUSTER LOCK RING	£ 6.00	£ 5.11
01.7224	BEARING ADJUSTER RING	£ 5.00	£ 4.26
01.7227	BRAKE ROD ADJUSTER CLIP	£ 8.50	£ 7.23
01.7259	STEERING DAMPER KNOB 'M' - GENUINE BAKELITE	£ 18.00	£ 15.32
01.7260	STEERING DAMPER KNOB - AJS (WITH ENAMEL BADGE)	£ 24.00	£ 20.43
01.7267	VALVE SPRING COLLAR	£ 4.00	£ 3.40
01.7288	VALVE LIFTER LEVER	£ 8.00	£ 6.81
01.7292	ROCKER AXLE SLEEVE	£ 6.50	£ 5.53
01.7317	SMALL END BUSH	£ 7.50	£ 6.38
01.7321	BRAKE DRUM & SPROCKET (6 BOLT-5.1/2" DRUM)	£ 50.00	£ 42.55
01.7324	WHEEL SPACER	£ 3.75	£ 3.19
01.7327CR	BRAKE EXPANDER LEVER (CHROME)	£ 23.00	£ 19.57
01.7327PA	BRAKE EXPANDER LEVER (PAINTED)	£ 15.00	£ 12.77
01.7329	BRAKE SHOE COLLAR	£ 3.00	£ 2.55
01.7334	BRAKE PLATE WASHER	£ 0.40	£ 0.34
01.7335	FRONT BRAKE DRUM	£ 24.00	£ 20.43
01.7339	CONNECTING ROD	£ 35.00	£ 29.79
01.7341	OIL PUMP GUIDE PIN	£ 2.00	£ 1.70
01.7346	TIMING SIDE BEARING SLEEVE	£ 6.50	£ 5.53
01.7355	USE 01.6377		
01.7357	FRONT FORK DAMPER ROD	£ 3.85	£ 3.28
01.7405	ROCKER BOX BOLT	£ 1.50	£ 1.28
01.7424	HANDLEBAR CLIP	£ 8.50	£ 7.23
01.7425	FOOTREST ARM	£ 15.00	£ 12.77
01.7461	PILLION FOOTREST	£ 9.00	£ 7.66
01.7486	BRAKE PLATE SECURING NUT	£ 3.00	£ 2.55
01.7487	BRAKE SHOE EXPANDER	£ 14.00	£ 11.91
01.7488	BRAKE SHOE SPRING	£ 3.00	£ 2.55
01.7489	TIMING SIDE BUSH	£ 27.00	£ 22.98
01.7497	SPACER	£ 1.00	£ 0.85
01.7516	BRAKE PLATE SPACER	£ 1.00	£ 0.85
01.7520	ROCKERBOX TOP OIL PIPE	£ 3.50	£ 2.98
01.7522	FORK LEG STUD	£ 2.50	£ 2.13
01.7538	CRANKPIN 3/4" DIA	£ 40.00	£ 34.04
01.7553	OIL TANK BRACKET	£ 1.50	£ 1.28
01.7569	OIL SEAL	£ 4.00	£ 3.40
01.7570	EXHAUST PIPE CLAMP	£ 9.00	£ 7.66
01.7603	CYLINDER BARREL	£ 70.00	£ 59.57
01.7605	BRAKE SHOE WITH LINING (PAIR,EXCHANGE)	£ 23.00	£ 19.57
01.7606	BRAKE SHOE THRUST PIN	£ 2.50	£ 2.13
01.7670	BRAKE SHOE WASHER	£ 0.25	£ 0.21
01.7680	THRUST WASHER	£ 4.00	£ 3.40
01.8002	DYNAMO CLAMPING BOLT	£ 2.00	£ 1.70
01.8037	OIL PUMP ASSEMBLY (EXCHANGE)	£ 85.00	£ 72.34
01.8040	FRONT BRAKE PLATE	£ 23.00	£ 19.57
01.8070	FULCRUM PIN	£ 3.85	£ 3.28
01.8071	BRAKE PLATE NUT	£ 4.50	£ 3.83
01.8093	USE 01.7220		
01.8095	REAR HUB OIL SEAL CUP	£ 3.00	£ 2.55
01.8094	REAR HUB OIL SEAL WASHER	£0.50	£ 0.43

PART NO	DESCRIPTION	PRICE + VAT	PRICE -VAT
01.8095	WASHER	£0.50	£ 0.43
01.8116	CHAINCASE CAP WASHER	£ 0.85	£ 0.72
01.8120	OIL FILTER SEAT	£ 1.75	£ 1.49
01.8121	ENGINE SHOCK ABSORBER CAP	£ 6.50	£ 5.53
01.8161	USE 02.1256		
01.8214	USE 02.1256		
01.8215	HEADLAMP BRACKET CHROME RING	£ 8.00	£ 6.81
01.8266	PUSHROD TOP SLEEVE	£ 2.50	£ 2.13
01.8277	HANDLEBAR CLAMP	£ 15.00	£ 12.77
01.8314	PUSHROD	£13.00	£ 11.06
01.8347	VALVE SPRING (INNER)	£ 3.30	£ 2.81
01.8348	VALVE SPRING (OUTER)	£ 3.65	£ 3.11
01.8492	ROCKER COVER SCREW	£ 0.60	£ 0.51
01.8493	ROCKER COVER GASKET	£ 0.60	£ 0.51
01.8503	CARBURETTOR RUBBER RING	£ 0.80	£ 0.68
01.8508	PUSHROD TUBE BARE	£ 3.00	£ 2.55
01.8513	PETROL TAP SPANNER	£ 3.00	£ 2.55
01.8517	TWIN PUSHROD	£9.00	£ 7.66
01.8534	USE 01.0705		
01.8537/8	HEADLAMPBRACKETS (USE 01.3694/5)		
01.8539	TOP SPRING COVER (BLACK-PAIR)	£ 24.00	£ 20.43
01.8564	BIG END SHELL SET -0.010"	£ 22.00	£ 18.72
01.8565	BIG END SHELL SET -0.020"	£ 22.00	£ 18.72
01.8566	BIG END SHELL SET -0.030"	£ 22.00	£ 18.72
01.8567	BIG END SHELL SET -0.040"	£ 22.00	£ 18.72
01.8576	CAMFOLLOWERS - SET OF 4	£ 60.00	£ 51.06
01.8604	FOOTREST BAR	£ 6.00	£ 5.11
01.8605	MAGNETO SHIELD	£ 15.00	£ 12.77
01.8623	ROCKER COVER	£ 12.50	£ 10.64
01.8644	BIG END SHELL SET STD	£ 22.00	£ 18.72
01.8648	TOP SUSPENSION BOLT	£ 7.00	£ 5.96
01.8649	FORK CROWN PINCH SCREW	£ 0.80	£ 0.68
01.8650	ALLOY CHAINCASE BAND	£ 15.25	£ 12.98
01.8652	RUBBER CHAINCASE BAND	£ 6.00	£ 5.11
01.8655	FRONT BRAKE ANCHOR BAR	£ 22.00	£ 18.72
01.8662	FRONT BRAKE PLATE	£ 25.00	£ 21.28
01.8667	FORK CROWN HEX KEY	£ 1.20	£ 1.02
01.8693	ENGINE STEADY STAY	£ 20.00	£ 17.02
01.8718	USE 01.3939		
01.8721	STOP SWITCH SPRING	£ 1.25	£ 1.06
01.8764	STOP SWITCH SPRING CLIP	£ 1.00	£ 0.85
01.8790	MUDGUARD JOINT BOLT	£ 1.50	£ 1.28
01.8852	USE 02.7028		
01.8890	METERING JET	£ 1.25	£ 1.06
01.8891	USE 02.7026	£ 25.00	£ 21.28
01.8959	REV COUNTER DRIVE HOUSING	£ 14.00	£ 11.91
01.8966	CLUTCH COVER GASKET	£ 1.75	£ 1.49
01.9221	WASHER	£ 0.20	£ 0.17
01.9456	BUSH	£ 3.00	£ 2.55
01.9490	GROMMET	£ 0.80	£ 0.68
01.9512	CIRLCIP	£ 0.40	£ 0.34
01.9629	BRAKE CABLE YOKE	£ 9.00	£ 7.66
01.9824	JUNCTION BLOCK	£ 6.50	£ 5.53
01.9870	SCREW	£ 1.00	£ 0.85
01.9880	BRAKE SHOE THRUST PIN	£ 2.50	£ 2.13
01.9987	ROCKER BUSH	£ 3.85	£ 3.28
02.0105	PUSHROD	£ 4.00	£ 3.40
02.0382	FULCRUM PIN	£ 3.85	£ 3.28
02.0463	FRONT FORK GAITOR (PAIR)	£ 11.00	£ 9.36
02.1002	CARBURETTOR SPACER 1.3/16" BORE	£ 10.00	£ 8.51

PART NO	DESCRIPTION	PRICE + VAT	PRICE -VAT
02.1071	FORK LOCK STOP	£ 3.65	£ 3.11
02.1084	FRAME STUD	£ 2.00	£ 1.70
02.1098CA	MUDGUARD JOINT BOLT (CADMIUM)	£ 1.20	£ 1.02
02.1098CR	MUDGUARD JOINT BOLT (CHROME)	£ 3.50	£ 2.98
02.1099	M/GUARD JOINT WASHER	£ 1.50	£ 1.28
02.1117	STEEL RING	£ 1.20	£ 1.02
02.1140	FRONT BRAKE PLATE	£ 25.00	£ 21.28
02.1146	FULCRUM PIN	£ 3.85	£ 3.28
02.1152	SPOKE	£ 0.60	£ 0.51
02.1160	FRONT HUB DISC	£ 25.00	£ 21.28
02.1161	FRONT HUB BEARING ADJUSTER	£ 5.90	£ 5.02
02.1161	WHEEL BEARING LOCK RING	£ 6.50	£ 5.53
02.1175	USE 02.7161		
02.1185	EXHAUST VALVE GUIDE (USE 02.2208)		
02.1217	SADDLE SUPPORT SPACER	£ 1.40	£ 1.19
02.1230	CHAINCASE SECURING NUT	£ 2.40	£ 2.04
02.1247	T/S AXLE	£ 42.50	£ 36.17
02.1249	T/S AXLE NUT	£ 3.00	£ 2.55
02.1252	CARBURETTOR SPACER 1.5/32" BORE	£ 10.00	£ 8.51
02.1255	BOTTOM SPRING COVER (STAINLESS - PAIR)	£ 28.00	£ 23.83
02.1256	SLIDER EXTENSION (STAINLESS - PAIR)	£ 38.00	£ 32.34
02.1261	PROP STAND SPRING	£ 3.00	£ 2.55
02.1279	FRONT HUB BEARING LOCK RING	£ 6.00	£ 5.11
02.1280	SPRING	£ 1.20	£ 1.02
02.1282	OIL TANK CAP	£ 8.50	£ 7.23
02.1293/4	HEADLAMP BRACKETS (USE 01.3694/5 AND ENLARGE HEADLAMP BOLT HOLE)		
02.1346	CARBURETTOR SPACER 1.1/16" BORE	£ 10.00	£ 8.51
02.1453	PETROL TANK WASHER	£ 0.25	£ 0.21
02.1454	SPEEDO GEARBOX WASHER	£ 0.60	£ 0.51
02.1464	FRONT HUB DISC	£ 25.00	£ 21.28
02.1465	FRONT BRAKE PLATE	£ 25.00	£ 21.28
02.1472	FULCRUM PIN	£ 4.20	£ 3.57
02.1473	REAR BRAKE EXPANDER LEVER	£ 20.00	£ 17.02
02.1474	FRONT BRAKE ANCHOR BAR	£ 22.00	£ 18.72
02.1481	T/S BUSH	£ 27.00	£ 22.98
02.1495	BOTTOM STEEL FORK BUSH	£ 7.80	£ 6.64
02.1506	INTERMEDIATE GEAR	£ 25.00	£ 21.28
02.1508	INTERMEDIATE GEAR SPINDLE	£ 11.50	£ 9.79
02.1550	RUBBER GROMMET	£ 0.80	£ 0.68
02.1555	JAMPOT CIRCLIP	£ 1.00	£ 0.85
02.1578	CHAINGUARD SPACER	£ 2.00	£ 1.70
02.1582	REAR HUB DISC	£ 25.00	£ 21.28
02.1583	REAR HUB BEARING ADJUSTER	£ 17.50	£ 14.89
02.1584	REAR HUB BEARING LOCKRING	£ 6.50	£ 5.53
02.1585	REAR HUB WASHER	£ 0.65	£ 0.55
02.1586	REAR HUB BEARING SPACER	£ 4.75	£ 4.04
02.1587	REAR HUB SPINDLE	£ 20.00	£ 17.02
02.1589	MAIN BEARING WASHER	£ 1.50	£ 1.28
02.1590	WHEEL SPINDLE NUT WASHER	£ 0.40	£ 0.34
02.1591	REAR WHEEL SPACER	£ 2.50	£ 2.13
02.1593	SPEEDO GEARBOX FIXING NUT	£ 2.15	£ 1.83
02.1594	SPEEDO GEARBOX SPACER	£ 9.75	£ 8.30
02.1595	REAR CHAIN ADJUSTER	£ 2.00	£ 1.70
02.1598	REAR BRAKE DRUM BEARING	£ 12.50	£ 10.64
02.1599	BRAKE DRUM BEARING WASHER	£ 1.60	£ 1.36
02.1600	BRAKE DRUM BEARING CIRCLIP	£ 1.50	£ 1.28
02.1602	BRAKE DRUM DUMMY SPINDLE	£ 12.00	£ 10.21
02.1603	REAR WHEEL NUT	£ 3.10	£ 2.64
02.1605	BRAKE PLATE SPACER	£ 1.85	£ 1.57

PART NO	DESCRIPTION	PRICE + VAT	PRICE -VAT
02.1607	USE 02.2209 BUSH AND 00.0369 BOLT		
02.1608	OIL SEAL SPACER	£ 2.65	£ 2.26
02.1642	FORK STEM LOCK NUT	£ 9.00	£ 7.66
02.1652	USE 02.2823		
02.1654	JAMPOT BOTTOM COLLAR	£ 11.50	£ 9.79
02.1655	JAMPOT COLLAR CIRCLIP	£ 1.50	£ 1.28
02.1689	BATTERY CARRIER REAR PORTION	£ 35.00	£ 29.79
02.1691	SPOKE	£ 0.60	£ 0.51
02.1693	SPOKE NIPPLE	£ 0.30	£ 0.26
02.1699	BRAKE PEDAL FULCRUM PIN	£ 5.50	£ 4.68
02.1700	BRAKE PEDAL RETURN SPRING	£ 3.00	£ 2.55
02.1713	BRAKE PEDAL LOCATING BOLT	£ 1.85	£ 1.57
02.1731/2	HEADLAMP BRACKETS (BLACK,PAIR)	£ 38.00	£ 32.34
02.1735	TOP SPRING COVER (BLACK-PAIR)	£ 23.00	£ 19.57
02.1740	FORK CROWN PINCH SCREW	£ 0.85	£ 0.72
02.1741	FRONT FORK ADJUSTING NUT	£ 11.50	£ 9.79
02.1742	HEADLAMP BRACKET SPIGOT RING	£ 6.75	£ 5.74
02.1781	FORK BUFFER SPRING	£ 4.65	£ 3.96
02.1782	USE 02.2700 BUSH WITH 02.2699 OIL SEAL		
02.1783	OIL SEAL	£ 4.00	£ 3.40
02.1785	LEATHER WASHER	£ 1.20	£ 1.02
02.1786	LEATHER WASHER	£ 1.20	£ 1.02
02.1798	SPEEDO FLANGE RUBBER	£ 4.00	£ 3.40
02.1799	SPEEDO CABLE GROMMET	£ 1.50	£ 1.28
02.1811	FORK STEM LOCK NUT	£ 9.00	£ 7.66
02.1818	AIR FILTER	£ 25.00	£ 21.28
02.1822	AIR CLEANER HOSE	£ 8.50	£ 7.23
02.1823	AIR FILTER HOSE	£ 8.50	£ 7.23
02.1830	FORK TOP NUT (STAINLESS- HEXAGON TYPE)	£10.00	£ 8.51
02.1831	WASHER	£ 0.50	£ 0.43
02.1859	MAIN BEARING SPACER	£ 1.50	£ 1.28
02.1872	CRANKCASE BALL BEARING	£ 19.00	£ 16.17
02.1877	ENGINE SPROCKET SPACER	£ 3.00	£ 2.55
02.1907	SLIDER EXTENSION (STAINLESS - PAIR)	£ 38.00	£ 32.34
02.1910	HEADLAMP BRACKET RUBBER	£ 1.25	£ 1.06
02.1911	FORK TUBE BUFFER RING	£ 0.75	£ 0.64
02.1912	FORK COVER TUBE HOUSING RING	£ 6.00	£ 5.11
02.1916	EXHAUST PIPE SUPPORT	£ 5.70	£ 4.85
02.1931	FRONT BRAKE PLATE ADJUSTING NUT	£ 1.85	£ 1.57
02.1962	TIMING SIDE BUSH	£ 27.00	£ 22.98
02.1978	HANDLEBAR CLAMP	£ 15.00	£ 12.77
02.2021	FORK STEEL BUSH SPACER	£ 1.00	£ 0.85
02.2032	STOP LAMP SWITCH BRACKET	£ 6.50	£ 5.53
02.2079	FORK BUFFER SPRING	£ 4.50	£ 3.83
02.2083	LOCKING NUT	£ 1.45	£ 1.23
02.2088	CAMSHAFT SHIM 0.003"	£ 1.00	£ 0.85
02.2131	CHAINCASE SCREW SPRING WASHER	£ 0.40	£ 0.34
02.2208	EXHAUST VALVE GUIDE	£ 6.50	£ 5.53
02.2208-OS	EXHAUST VALVE GUIDE - 6 THOU OVERSIZE	£ 7.00	£ 5.96
02.2209	REAR HUB DRIVING PIN	£ 2.20	£ 1.87
02.2213	DAMPDER ROD ADAPTOR	£ 1.50	£ 1.28
02.2215	FORK TUBE TOP BOLT	£ 9.75	£ 8.30
02.2216	FORK TUBE TOP BOLT PLASTIC PLUG	£ 0.60	£ 0.51
02.2217	REAR WHEEL SPACER	£ 1.50	£ 1.28
02.2218	REAR BRAKE PLATE SPACER	£ 5.25	£ 4.47
02.2233	CYLINDER BASE GASKET	£ 0.70	£ 0.60
02.2236	CYLINDER HEAD GASKET	£ 4.00	£ 3.40
02.2248	FRAME STUD	£ 1.85	£ 1.57
02.2250	MUDGUARD BRACKET	£ 4.00	£ 3.40
02.2257	FRONT BRAKE PLATE	£ 25.00	£ 21.28

PART NO	DESCRIPTION	PRICE + VAT	PRICE -VAT
02.2260	FRONT BRAKE EXPANDER LEVER	£ 23.00	£ 19.57
02.2261	FULCRUM PIN	£ 4.85	£ 4.13
02.2277	GUDGEON PIN	£ 7.75	£ 6.60
02.2288	PUSH ROD COVER TUBE	£ 11.00	£ 9.36
02.2314	REAR BRAKE PEDAL STOP	£ 3.00	£ 2.55
02.2362	USE 02.7028	£ 25.00	£ 21.28
02.2370	TANK BADGE RUBBER	£ 2.00	£ 1.70
02.2385	OIL DISTRIBUTOR BUSH	£ 3.50	£ 2.98
02.2394	GUDGEON PIN	O/S	
02.2498	CENTRE STAND BUSH	£ 5.30	£ 4.51
02.2504	GEARBOX ADJUSTER CROSSHEAD	£ 3.85	£ 3.28
02.2509	GEARBOX FIXING BOLT	£ 4.25	£ 3.62
02.2514	TAPPET GUIDE GRUB SCREW	£ 1.00	£ 0.85
02.2515	CYLINDER BASE GASKET	£ 0.90	£ 0.77
02.2518	PUSHROD TUNNEL RUBBER	£ 0.75	£ 0.64
02.2520	USE 02.7028	£ 25.00	£ 21.28
02.2538	MAGNETIC DRAIN PLUG	£ 5.00	£ 4.26
02.2549	WASHER	£ 1.20	£ 1.02
02.2594	STUD	£ 1.50	£ 1.28
02.2609	REAR BRAKE PEDAL BOLT	£ 2.75	£ 2.34
02.2631	OIL TANK HEAT SHIELD (BLACK)	£ 20.00	£ 17.02
02.2699	FRONT FORK OIL SEAL	£ 3.90	£ 3.32
02.2700	FRONT FORK BUSH	£ 8.25	£ 7.02
02.2743	REAR BRAKE ROD ADJUSTER	£ 8.50	£ 7.23
02.2744	REAR BRAKE ROD ADJUSTING CLIP	£ 8.50	£ 7.23
02.2748	REAR BRAKE PLATE SPACER	£ 1.85	£ 1.57
02.2767	SPACER	£ 0.30	£ 0.26
02.2823	FORK INNER TUBE 1.1/4" DIA (PAIR)	£ 75.00	£ 63.83
02.2869	GEARBOX ADJUSTER BOLT	£ 3.00	£ 2.55
02.2879	SWINGING ARM COTTER PIN	£ 2.40	£ 2.04
02.2903	STUD	£ 1.50	£ 1.28
02.3012	INLET MANIFOLD GASKET	£ 0.50	£ 0.43
02.3043	INLET VALVE	£ 14.50	£ 12.34
02.3061	23 TEETH ENGINE SPROCKET	£ 32.00	£ 27.23
02.3064	DRIVE SIDE AXLE	O/S	
02.3066	ENGINE SPROCKET SPACER	O/S	
02.3072	REAR HUB DRIVING PIN	£ 5.20	£ 4.43
02.3073	REAR HUB DRIVING BUSH - SET OF 5	£ 17.00	£ 14.47
02.3084	KNEE GRIP AJS RIGHT HAND	£ 17.50	£ 14.89
02.3085	KNEE GRIP MATCHLESS LEFT HAND	£ 17.50	£ 14.89
02.3106	COPPER WASHER	£ 0.60	£ 0.51
02.3113	DRIVE SIDE AXLE	O/S	
02.3118	DYNAMO SPROCKET NUT	£ 1.80	£ 1.53
02.3133	ENGINE SPROCKET NUT	£ 2.50	£ 2.13
02.3134	LOCKWASHER	O/S	
02.3135	DYNAMO SPROCKET	£ 21.50	£ 18.30
02.3146	CHAINGUARD CAPTIVE NUT	£ 2.00	£ 1.70
02.3160	SPACER	£ 1.00	£ 0.85
02.3163	ENGINE SPROCKET SPACER	£ 9.00	£ 7.66
02.3250	FRAME STUD	£ 4.70	£ 4.00
02.3251	SEAT FIXING SCREW	£ 3.50	£ 2.98
02.3259	GEARBOX ADJUSTER BOLT	£ 2.50	£ 2.13
02.3266	21 TEETH ENGINE SPROCKET	£ 31.00	£ 26.38
02.3267	22 TEETH ENGINE SPROCKET	£ 31.00	£ 26.38
02.3268	LOCK WASHER	£ 1.50	£ 1.28
02.3269	TOP SUSPENSION BOLT	£ 7.00	£ 5.96
02.3270	ROCKER AXLE	£ 12.00	£ 10.21
02.3299	BRAKE ROD YOKE	£ 9.00	£ 7.66
02.3311	OIL PIPE	£ 9.50	£ 8.09
02.3331	OIL FILTER HOUSING CAP	£ 23.50	£ 20.00

PART NO	DESCRIPTION	PRICE + VAT	PRICE -VAT
02.3343	TIMING SIDE AXLE	£ 41.00	£ 34.89
02.3346	TIMING SIDE BUSH	O/S	
02.3360	PETROL TANK BEAD -RED	£ 7.50	£ 6.38
02.3361	PETROL TANK BEAD -BLUE	£ 7.50	£ 6.38
02.3371	TANK BADGE SCREW	£ 1.20	£ 1.02
02.3401	OIL PIPE	£ 9.50	£ 8.09
02.3403	INLET VALVE	£ 18.50	£ 15.74
02.3406	INLET MANIFOLD	£ 25.00	£ 21.28
02.3429	CHAINCASE STUD	£ 1.75	£ 1.49
02.3474	23 TEETH ENGINE SPROCKET	£ 34.00	£ 28.94
02.3480	TOP SPRING COVER (BLACK - PAIR)	£ 20.00	£ 17.02
02.3481	BOTTOM SPRING COVER (STAINLESS - PAIR)	£ 23.00	£ 19.57
02.3509	TAB WASHER FOR CHAINGUARD	£ 1.50	£ 1.28
02.3601	SLEEVE NUT	£ 2.70	£ 2.30
02.3643	ENGINE PLATE	£ 20.00	£ 17.02
02.3644	ENGINE PLATE	£ 20.00	£ 17.02
02.3653	SOCKET SCREW	£ 0.60	£ 0.51
02.3717	MANIFOLD GASKET	£0.60	£ 0.51
02.3757	PETROL TAP BANJO BOLT	£ 3.00	£ 2.55
02.4020	CHAINCASE GASKET	£ 2.00	£ 1.70
02.4021	CHAINCASE GASKET	£ 2.00	£ 1.70
02.4022	CRANKCASE GASKET	£ 0.60	£ 0.51
02.4023	CRANKCASE GASKET	£ 0.60	£ 0.51
02.4059	AIR CLEANER	£ 20.00	£ 17.02
02.4064	REAR FRAME COVER	£ 15.00	£ 12.77
02.4068	REAR FRAME COVER	£ 15.00	£ 12.77
02.4132	DRIVE SIDE AXLE	O/S	
02.4136	STUD	£ 1.75	£ 1.49
02.4145	CHAINCASE DOWEL	£ 1.36	£ 1.16
02.4148	CHAINCASE SCREW	£ 0.40	£ 0.34
02.4150	STUD	£ 1.50	£ 1.28
02.4174	PILLION FOOTREST YOKE-LEFT HAND	£ 10.00	£ 8.51
02.4176	BOLT	£ 3.00	£ 2.55
02.4199	OIL TANK HEAT SHIELD (BLACK)	£ 20.00	£ 17.02
02.4213	SCREW	£ 0.60	£ 0.51
02.4216	HEAD STEADY BRACKET	£ 20.00	£ 17.02
02.4218	BOLT	£ 1.50	£ 1.28
02.4228	GEARBOX TOP BOLT	£ 4.50	£ 3.83
02.4285	CHAINCASE STUD	£ 1.75	£ 1.49
02.4286	SLEEVE NUT	£ 1.50	£ 1.28
02.4287	OIL SEAL	£ 4.00	£ 3.40
02.4288	GEARBOX ADJUSTER CROSSHEAD	£ 4.75	£ 4.04
02.4307	INLET MANIFOLD	£ 25.00	£ 21.28
02.4308	CARB SPACER	£ 1.00	£ 0.85
02.4319	OIL TANK HEAT SHIELD (RED)	£ 20.00	£ 17.02
02.4326	WASHER	£ 0.15	£ 0.13
02.4329	CAMSHAFT BUSH	£ 6.50	£ 5.53
02.4414	SOCKET SCREW	£ 0.60	£ 0.51
02.4445	TOP SPRING COVER (BLACK-PAIR)	£ 20.00	£ 17.02
02.4449	CHAINGUARD BOLT	£ 1.50	£ 1.28
02.4490	OIL DISTRIBUTOR	£ 12.00	£ 10.21
02.4519	VALVE GUIDE	£ 6.00	£ 5.11
02.4533	CARB SPACER	£ 6.00	£ 5.11
02.4558	SILENCER WASHER	£ 1.20	£ 1.02
02.5029	DISTRIBUTOR ADAPTOR	£ 14.00	£ 11.91
02.5031	DISTRIBUTOR GEAR	£ 25.00	£ 21.28
02.5032	DISTRIBUTOR GEAR PIN	£ 1.00	£ 0.85
02.5035	CRANKCASE GASKET	£ 0.60	£ 0.51
02.5037	CHAINCASE GASKET	£ 2.00	£ 1.70
02.5054	SPACER	£ 1.00	£ 0.85

PART NO	DESCRIPTION	PRICE + VAT	PRICE -VAT
02.5064	INLET MANIFOLD GASKET	£ 0.50	£ 0.43
02.5114	HEADLAMP BOLT WASHER	£ 1.50	£ 1.28
02.5115	DOMED NUT	£ 2.00	£ 1.70
02.5177	BRAKE PEDAL STOP 16C	£ 3.00	£ 2.55
02.5178	FRAME STUD	£ 2.50	£ 2.13
02.5227	OIL TANK HEAT SHIELD (BLACK)	£ 20.00	£ 17.02
02.5247	BRAKE DRUM ATTACHMENT BOLT	£ 3.00	£ 2.55
02.5251	BRACKET	£ 3.00	£ 2.55
02.5252	BRACKET	£ 3.00	£ 2.55
02.5252	EXHAUST PIPE BRACKET	£ 4.00	£ 3.40
02.5258	WASHER	£ 0.40	£ 0.34
02.5267	TAB WASHER	£ 1.20	£ 1.02
02.5298	ENGINE SPROCKET NUT	£ 14.00	£ 11.91
02.5352	OIL TANK CAP	£ 7.25	£ 6.17
02.5392	BEADING	£ 3.50	£ 2.98
02.5456	OIL TANK HEAT SHIELD (WHITE)	£ 20.00	£ 17.02
02.5468/9	HEADLAMP BRACKETS (BLACK,PAIR)	£ 36.00	£ 30.64
02.5526	ENGINE SPROCKET NUT	£ 14.00	£ 11.91
02.5530	BRACKET	£ 6.00	£ 5.11
02.5534	OIL TANK HEAT SHIELD (WHITE)	£ 20.00	£ 17.02
02.5586	NUT	£ 1.20	£ 1.02
02.5600	LEATHER WASHER	£ 1.20	£ 1.02
02.6028	INLET VALVE	£ 14.50	£ 12.34
02.6029	EXHAUST VALVE	£ 14.50	£ 12.34
02.6030	INLET VALVE GUIDE	£ 6.00	£ 5.11
02.6039	CYLINDER HEAD GASKET	£ 3.50	£ 2.98
02.6040	INLET VALVE	£ 16.00	£ 13.62
02.6041	INLET VALVE	£ 14.50	£ 12.34
02.6042	EXHAUST VALVE	£ 16.00	£ 13.62
02.6043	EXHAUST VALVE	£ 14.50	£ 12.34
02.6044	INLET VALVE GUIDE	£ 6.00	£ 5.11
02.6045	EXHAUST VALVE GUIDE	£ 6.00	£ 5.11
02.6046	VALVE COLLET (PAIR)	£ 4.00	£ 3.40
02.6047	VALVE SPRING BOTTOM SEAT	£ 3.50	£ 2.98
02.6048	INLET MANIFOLD	£ 25.00	£ 21.28
02.6050	INLET MANIFOLD GASKET	£ 0.50	£ 0.43
02.6058	MANIFOLD STUD	£ 1.20	£ 1.02
02.6133	OIL RELIEF VALVE PISTON	£ 4.90	£ 4.17
02.6139	OIL FILTER CAP LESS FILTER	£ 23.00	£ 19.57
02.6155	HEAD STEADY BRACKET`	£ 20.00	£ 17.02
02.6156	ROCKERBOX BOLT SLEEVE	£ 1.50	£ 1.28
02.6157	ROCKERBOX BOLT SLEEVE NUT	£ 1.50	£ 1.28
02.6158	ROCKERBOX BOLT	£ 3.75	£ 3.19
02.6159	ROCKERBOX BOLT	£ 3.75	£ 3.19
02.6161	FRAME STUD	£ 2.50	£ 2.13
02.6213	FRAME SPACER	£ 2.50	£ 2.13
02.6227	MUDGUARD BRACKET	£ 9.00	£ 7.66
02.6245	NIPPLE	£ 2.00	£ 1.70
02.6280	500 CC TWIN PUSHROD	£ 9.00	£ 7.66
02.6281	650 CC TWIN PUSHROD	£ 9.00	£ 7.66
02.6282	NUT	£ 1.70	£ 1.45
02.6285	DRIVE SIDE AXLE	O/S	
02.6315	CYLINDER STUD 650	£ 3.00	£ 2.55
02.6316	CYLINDER STUD 500CC	£ 3.00	£ 2.55
02.6354	LIGHTING SWITCH BRACKET	£ 6.50	£ 5.53
02.6453	OIL TANK VENT PIPE	£ 4.50	£ 3.83
02.6456	BOLT	£ 1.50	£ 1.28
02.6458	BRACKET	£ 4.00	£ 3.40
02.6459	HEAD STEADY BRACKET	£ 20.00	£ 17.02
02.6477	VALVE SPRING TOP COLLAR	£ 4.60	£ 3.91

PART NO	DESCRIPTION	PRICE + VAT	PRICE -VAT
02.6485	OIL TANK HEAT SHIELD (WHITE)	£ 20.00	£ 17.02
02.6489	EXHAUST PIPE SUPPORT	£ 6.50	£ 5.53
02.6529	STEERING LOCK STOP	£ 3.50	£ 2.98
02.6536	SEAT STUD NUT	£ 1.75	£ 1.49
02.6538	OIL TANK STUD - G80CS	£ 4.00	£ 3.40
02.6556	EXHAUST PIPE EXTENSION	£ 6.20	£ 5.28
02.6569	SCREW	£ 1.20	£ 1.02
02.6582	NUT	£ 1.50	£ 1.28
02.6606	PETROL TANK CENTRE BEAD	£ 16.00	£ 13.62
02.6633	TANK BOLT	£ 3.00	£ 2.55
02.6741	CLIP	£ 4.00	£ 3.40
02.6749	CARBURETTOR BOLT	£ 1.20	£ 1.02
02.6762	USE 01.7191		
02.6779	BATTERY COVER	£ 15.00	£ 12.77
02.6801	JET	£ 3.00	£ 2.55
02.6842	BRACKET	£ 4.00	£ 3.40
02.7026	PETROL TANK BADGE - MATCHLESS, PAIR	£ 25.00	£ 21.28
02.7028	PETROL TANK BADGE - AJS BLUE/SILVER,PAIR	£ 25.00	£ 21.28
02.7029	TANK BADGE RUBBER - AJS	£ 2.50	£ 2.13
02.7078	SWITCH COVER	£ 6.50	£ 5.53
02.7161	PETROL TANK BOLT	£ 4.70	£ 4.00
02.8023	OIL TANK HEAT SHIELD (BLACK)	£ 20.00	£ 17.02
02.8044	BATTERY STRAP PIN	£ 0.90	£ 0.77
02.8046	USE 02.1735		
02.8051	USE 02.1907		
02.8070	SPEEDO GEARBOX SPACER	£ 3.00	£ 2.55
02.8071	BRAKE PLATE OUTER SPACER	£ 2.60	£ 2.21
02.8082	CYLINDER HEAD NUT	£ 1.25	£ 1.06
02.8098	PUSHROD TUBE BARE	£ 6.00	£ 5.11
02.8101	CYLINDER BASE GASKET	£ 0.80	£ 0.68
02.8102	CYLINDER STUD	£ 7.50	£ 6.38
02.8105	EXHAUST VALVE	£ 23.00	£ 19.57
02.8106	ROCKERBOX BOLT	£ 3.75	£ 3.19
02.8247	EXHAUST PIPE BRACKET	£ 3.50	£ 2.98
02.8326/7	USE 02.5468		
02.8335	USE 02.1735		
02.8366	OIL TANK HEAT SHIELD (RED)	£ 20.00	£ 17.02
02.8367	OIL TANK HEAT SHIELD (BLUE)	£ 20.00	£ 17.02
02.8409	G15/45 CYLINDER	POA	
02.8482	RETURN OIL PUMP BODY	£ 30.00	£ 25.53
02.8483	FEED OIL PUMP BODY	£ 30.00	£ 25.53
02.8484	OIL PUMP GEAR	£ 16.00	£ 13.62
02.8492	TIMING COVER SCREW	£ 1.45	£ 1.23
02.8493	FEED PUMP PIN	£ 0.90	£ 0.77
02.8494	RETRUN PUMP PIN	£ 0.90	£ 0.77
02.8501	PIN	£ 1.20	£ 1.02
02.8502	RELIEF VALVE PLUNGER	£ 4.50	£ 3.83
02.8503	RELIEF VALVE SPRING	£ 1.25	£ 1.06
02.8504	RELIEF VALVE CAP	£ 1.40	£ 1.19
02.8505	RELIEF VALVE RIVET	£ 0.60	£ 0.51
02.8576	BOLT	£ 2.00	£ 1.70
02.9226	BRAKE SHOE SPRING	£ 3.00	£ 2.55
02.9227	BRAKE DRUM OIL SEAL	£ 4.50	£ 3.83
02.9228	REAR WHEEL ROLLER BEARING	£ 23.00	£ 19.57
02.9230	REAR HUB BEARING SPACER	£ 12.00	£ 10.21
02.9233	REAR WHEEL BALL BEARING	£ 12.00	£ 10.21
02.9236	REAR HUB LOCKRING	£ 15.00	£ 12.77
02.9239	REAR HUB COVER DISC	£ 20.00	£ 17.02
02.9240	OIL SEAL DISTANCE PIECE	£ 4.00	£ 3.40
02.9241	WHEEL SPACER	£ 4.00	£ 3.40

PART NO	DESCRIPTION	PRICE + VAT	PRICE -VAT
02.9243	WHEEL SPACER	£ 4.00	£ 3.40
02.9246	WHEEL SPINDLE NUT	£ 2.60	£ 2.21
02.9248	BRAKE SHOE WITH LININGS (PAIR)	£ 30.00	£ 25.53
02.9258	FRONT BRAKE PLATE	£ 65.00	£ 55.32
02.9260	BRAKE SHOE PIVOT	£ 6.50	£ 5.53
02.9261	FRONT WHEEL SPINDLE	£ 17.50	£ 14.89
02.9262	OIL SEAL COLLAR	£ 3.00	£ 2.55
02.9264	FRONT WHEEL BEARING	£ 12.50	£ 10.64
02.9265	FRONT HUB BEARING SPACER	£ 12.00	£ 10.21
02.9272	EXPANDER LEVER	£ 23.00	£ 19.57
02.9318	ROCKER BOX BOLT	£ 3.75	£ 3.19
02.9384	RETAINER WASHER	£ 2.00	£ 1.70
02.9440	REAR MUDGUARD HANDLE	£ 12.00	£ 10.21
02.9441	REAR MUDGUARD HANDLE	£ 12.00	£ 10.21
02.9479	PLATE	£ 6.00	£ 5.11
02.9489	BRAKE EXPANDER	£ 15.00	£ 12.77
02.9570	REAR FRAME COVER	£ 14.00	£ 11.91
02.9577	REAR FRAME COVER	£ 14.00	£ 11.91
02.9581	REAR FRAME COVER	£ 14.00	£ 11.91
02.9682	SPACER	£ 2.00	£ 1.70
02.9699	ADAPTOR	£ 3.00	£ 2.55
02.9760	REAR NUMBER PLATE	£ 15.00	£ 12.77
02.9831	SCREW	£ 0.25	£ 0.21
02.9858	G15P SEAT BRACKET	£ 3.00	£ 2.55
02.9895	BRAKE PEDAL BUSH	£ 3.00	£ 2.55
02.9984	WASHER	£ 0.75	£ 0.64
03.0052	REAR BRAKE DRUM - 3/8 CHAIN	£ 50.00	£ 42.55
03.0076	CONTACT BREAKER HOUSING	£ 20.00	£ 17.02
03.0085	BUSH	£ 4.00	£ 3.40
03.0139	TIMING PINION	£ 23.00	£ 19.57
03.0140	TAPPET	£ 16.50	£ 14.04
03.0143	TAPPET GUIDE	£ 18.00	£ 15.32
03.0144	CAMSHAFT BUSH	£ 6.00	£ 5.11
03.0160	TIMING CASE	£ 45.00	£ 38.30
03.0171	TIMING CASE GASKET	£ 1.50	£ 1.28
03.0172	CRANKCASE ROLLER BEARING	£ 24.00	£ 20.43
03.0173	OIL PUMP DRIVE WORM	£ 24.00	£ 20.43
03.0174	MAGNETO PLATFORM	£ 15.00	£ 12.77
03.0176	TIMIG COVER QUILL	£ 3.75	£ 3.19
03.0177	CAMSHAFT BUSH	£ 6.00	£ 5.11
03.0178	OIL SEAL	£ 4.00	£ 3.40
03.0243	CHAINCASE SPACER RING	£ 6.00	£ 5.11
03.0300	G15 OIL PIPE ASSEMBLY	£ 11.00	£ 9.36
03.0321	PILLION FOOTREST LUG	£ 4.70	£ 4.00
03.0374	CYLINDER HEAD GASKET	£ 4.00	£ 3.40
03.0379	CYLNIDER STUD	£ 4.50	£ 3.83
03.0392	USE 06.1118		
03.0394	REAR MUDGUARD BRIDGE	£ 22.00	£ 18.72
03.0396	SPACER	£ 1.20	£ 1.02
03.0440	G15 FRONT DAMPER TUBE	£ 12.00	£ 10.21
03.0448	BOLT	£ 1.24	£ 1.46
03.0449	EXHAUST PIPE CLAMP	£ 2.00	£ 1.70
03.0453	SLIDER EXTENSION (STAINLESS/PAIR)	£ 38.00	£ 32.34
03.0454	USE 06.0350		
03.0468	ROCKER FEED BANJO	£ 4.50	£ 3.83
03.0513	OIL PUMP PLATE	£ 32.00	£ 27.23
03.0522	OIL PIPE BRACKET	£ 3.00	£ 2.55
03.0584	DAMPER VALVE	£ 5.30	£ 4.51
03.0587	OIL PIPE	£ 2.50	£ 2.13
03.1546/7	HEADLAMP BRACKETS (BLACK) (PAIR)	£ 45.00	£ 38.30

PART NO	DESCRIPTION	PRICE + VAT	PRICE -VAT
03.1553	PETROL TANK BADGE SCREW - CADMIUM	£ 0.60	£ 0.51
03.1589	SILENCER SPACER	£ 1.50	£ 1.28
03.1597	MUDGUARD BRACKET	£ 7.50	£ 6.38
03.1605	G15 CSR FRONT NUMBER PLATE	£ 9.50	£ 8.09
03.1666	BRACKET	£ 3.50	£ 2.98
03.2032	SPOKE	£ 1.20	£ 1.02
03.2033	SPOKE	£ 1.20	£ 1.02
03.2097	CHAIN ADJUSTER BOLT	£ 2.00	£ 1.70
03.2126	FRONT ENGINE PLATE G85CS	£ 7.50	£ 6.38
03.2148	GEARBOX ADJUSTER BOLT	£ 6.00	£ 5.11
03.2149	GEARBOX ADJUSTER CROSSHEAD	£ 3.75	£ 3.19
03.2154	LEFT HAND FOOTREST G85CS	£ 30.00	£ 25.53
03.2155	RIGHT HAND FOOTREST G85CS	£ 30.00	£ 25.53
03.2164	CHAINCASE SPACER	£ 2.00	£ 1.70
03.2165	CHAINCASE SPACER	£ 5.00	£ 4.26
03.2172	REAR WHEEL SPINDLE G85CS	£ 15.00	£ 12.77
03.2183	SWINGING ARM SPINDLE	£ 6.00	£ 5.11
03.2184	P11 SWINGING ARM BUSH	£ 15.00	£ 12.77
03.2191	BOLT	£ 2.50	£ 2.13
03.2195	WHEEL SPINDLE SPACER	£ 6.50	£ 5.53
03.2200	OIL PIPE TUBE	£ 2.75	£ 2.34
03.2203	FORK COVER TUBE (PLASTIC)	£ 2.50	£ 2.13
03.2205	MAGNETO PLATFORM G85CS	£ 15.00	£ 12.77
03.2225	PETROL TANK BRACKET	£ 6.00	£ 5.11
03.2228	PETROL TANK SPACER	£ 4.00	£ 3.40
03.2241	P11 CHAINCASE SUPPORT STUD	£ 4.00	£ 3.40
03.2264	SIDE PANEL SCREW	£ 2.50	£ 2.13
03.2267	TUBE	£ 3.00	£ 2.55
03.3007	CONTACT BREAKER DRIVE SPROCKET	£ 15.00	£ 12.77
03.3027	CARBURETTOR ADAPTOR SLEEVE	£ 8.50	£ 7.23
03.3042	STOP LAMP SWITCH BRACKET	£ 4.50	£ 3.83
03.3044	IGNITION LOCK AND KEYS	£ 8.23	£ 7.00
03.3057	HEADLAMP SPACER	£ 1.50	£ 1.28
03.3063	P11 SPEEDO BRACKET	£ 35.00	£ 29.79
03.3066	CONTACT BREAKER HOUSING	£ 24.00	£ 20.43
03.3067	CONTACT BREAKER SHAFT	£ 9.50	£ 8.09
03.3083	WHEEL SPACER	£ 3.00	£ 2.55
03.3089	P11 FRONT ENGINE PLATE	£ 12.00	£ 10.21
03.3090	REAR WHEEL SPINDLE SPACER	£ 1.50	£ 1.28
03.3124	P11 REAR WHEEL SPINDLE	£ 12.50	£ 10.64
03.3138	REAR MUDGUARD P11		POA
03.3144	USE 06.6085		
03.3145	USE 06.6084		
03.3152	TOP GEARBOX FIXING BOLT	£ 5.00	£ 4.26
03.3153	BOTTOM GEARBOX FIXING STUD	£ 2.50	£ 2.13
03.3217	GAITOR CLIP	£ 4.00	£ 3.40
03.3218	KICKSTARTER RUBBER	£ 2.50	£ 2.13
03.3257	CAPACITOR SPRING BOLT	£ 2.00	£ 1.70
03.3264	NUMBER PLATE BRACKET	£ 6.50	£ 5.53
03.4052	NEEDLE ROLLER	£ 6.00	£ 5.11
03.4072	GROMMET	£ 0.20	£ 0.17
03.4104	OIL TANK BRACKET (TOP LOWER)	£ 10.00	£ 8.51
03.4105	OIL TANK BRACKET (TOP BOTTOM)	£ 10.00	£ 8.51
03.4106	OIL TANK BRACKET	£ 10.00	£ 8.51
03.5073	REAR MUDGUARD TRANSFER	£ 0.35	£ 0.30
04.0001	MAINSHAFT	£ 89.70	£ 76.34
04.0003	CLUTCH OPERATING LOCK RING	£ 8.95	£ 7.62
04.0005	KICK START AXLE O'RING	£ 0.40	£ 0.34
04.0006	PAWL CARRIER O'RING	£ 0.35	£ 0.30
04.0017	KICKSTARTER PAWL - USE 06.2015		

PART NO	DESCRIPTION	PRICE + VAT	PRICE -VAT
04.0018	CAM PLATE - USE 04.0108		
04.0019	LAYSHAFT 2ND GEAR - 24T	£ 35.83	£ 30.49
04.0022	SELECTOR FORK	£ 28.95	£ 24.64
04.0023	MAINSHAFT NUT	£ 2.12	£ 1.80
04.0024	FOOTCHANGE PAWL	£ 8.81	£ 7.50
04.0025	LAYSHAFT	£ 59.73	£ 50.83
04.0026	MAINSHAFT 1ST GEAR - 14T	£ 30.26	£ 25.75
04.0029	CLUTCH OPERATING LEVER	£ 12.46	£ 10.60
04.0030	INNER COVER GASKET	£ 1.20	£ 1.02
04.0031	CLUTCH OPERATING BALL	£ 0.35	£ 0.30
04.0033	KICKSTARTER PAWL PIN	£ 1.97	£ 1.68
04.0034	CAMPLATE PLUNGER	£ 2.50	£ 2.13
04.0035	SELECTOR FORK SHAFT	£ 10.50	£ 8.94
04.0036	CAMPLATE PLUNGER BUSH	£ 3.88	£ 3.30
04.0038	FOOTCHANGE PAWL SPRING	£ 2.50	£ 2.13
04.0041	KICKSTARTER AXLE CAM RIVET	£ 0.15	£ 0.13
04.0042	KICKSTARTER AXLE STOP	£ 5.51	£ 4.69
04.0043	KICKSTART RETURN SPRING (UPTO 1962)	£ 4.00	£ 3.40
04.0044	KICKSTARTER PAWL SPRING	£ 1.00	£ 0.85
04.0045	CAMPLATE PLUNGER SPRING - USE 04.0442		
04.0046	LAYSHAFT 1ST GEAR BUSH	£ 6.25	£ 5.32
04.0047	LAYSHAFT 3RD GEAR BUSH - USE 06.6665		
04.0048	MAINSHAFT 2ND GEAR BUSH	£ 6.35	£ 5.40
04.0049	PAWL PIVOT PIN CIRCLIP	£ 0.30	£ 0.26
04.0051	FOOTCHANGE INDICATOR	£ 2.00	£ 1.70
04.0052	FOOTCHANGE STOP PLATE - USE 06.4049		
04.0053	INSPECTION COVER (PLAIN) - USE 04.1104		
04.0055	OUTER COVER GASKET	£ 1.50	£ 1.28
04.0056	CAMPLATE / QUADRANT SPINDLE BUSH	£ 6.00	£ 5.11
04.0057	INSPECTION COVER GASKET	£ 0.85	£ 0.72
04.0058	KICKSTART COVER BUSH (UPTO 1962)	£ 5.25	£ 4.47
04.0059	CLUTCH OPERATING BODY	£ 5.50	£ 4.68
04.0060	CLUTCH OPERATING ROLLER	£ 0.95	£ 0.81
04.0061	FOOTCHANGE SPINDLE BUSH	£ 5.50	£ 4.68
04.0062	MAIN GEAR BUSHES (2 NEEDED)	£ 3.80	£ 3.23
04.0063	PAWL CARRIER BUSH	£ 3.50	£ 2.98
04.0064	GEARBOX SHELL STUD (LONG)	£ 0.85	£ 0.72
04.0065	CLUTCH OPERATING ROLLER SLEEVE	£ 2.50	£ 2.13
04.0066	SPINDLE FOR RATCHET	£ 11.75	£ 10.00
04.0067	PAWL PIVOT PIN	£ 1.80	£ 1.53
04.0069	KICKSTARTER PAWL PLUNGER	£ 0.70	£ 0.60
04.0070	SPROCKET NUT (LEFT HAND THREAD)	£ 5.00	£ 4.26
04.0071	KICKSTARTER AXLE CAM	£ 1.50	£ 1.28
04.0076	LOCKING PLATE	£ 1.50	£ 1.28
04.0078	QUADRANT ASSEMBLY ROLLER	£ 2.50	£ 2.13
04.0079	FOOTCHANGE RATCHET O'RING	£ 0.20	£ 0.17
04.0081	LAYSHAFT 1ST GEAR BUSH	£ 3.60	£ 3.06
04.0084	CLUTCH OPERATING ROD	£ 4.90	£ 4.17
04.0086	FOOTCHANGE PEDAL RUBBER	£ 2.25	£ 1.91
04.0098	MAIN GEAR BALL BEARING	£ 29.00	£ 24.68
04.0099	MAINSHAFT BALL BEARING	£ 7.00	£ 5.96
04.0100	BALL BEARING - WHEEL & GEARBOX	£ 4.50	£ 3.83
04.0101	SEE 04.0434		
04.0102	KICKSTARTER CRANK BOLT	£ 3.29	£ 2.80
04.0105	FOOTCHANGE PEDAL BOLT	£ 0.75	£ 0.64
04.0108	CAMPLATE	£ 27.25	£ 23.19
04.0109	QUADRANT ASSEMBLY	£ 24.00	£ 20.43
04.0110	PAWL CARRIER	£ 37.31	£ 31.75
04.0111	FOOTCHANGE RATCHET ASSEMBLY	£ 32.40	£ 27.57
04.0115	LAYSHAFT 1ST GEAR 28 TEETH	£ 48.99	£ 41.69

PART NO	DESCRIPTION	PRICE + VAT	PRICE -VAT
04.0129	CAMPLATE / QUADRANT SPINDLE O'RING	£ 0.30	£ 0.26
04.0131	OIL SEAL SPACER	£ 7.86	£ 6.69
04.0132	MAIN GEAR OIL SEAL	£ 3.50	£ 2.98
04.0135	FOOTCHANGE RETURN SPRING WASHER	£ 0.52	£ 0.44
04.0136	CAMPLATE / QUADRANT BOLT	£ 1.53	£ 1.30
04.0137	FOOTCHANGE INDICATOR BOLT	£ 0.29	£ 0.25
04.0138	DRAIN PLUG	£ 1.59	£ 1.35
04.0144	GEARBOX SHELL WITH BUSHES	£ 84.01	£ 71.50
04.0145	FOOTCHANGE BUSH	£ 2.12	£ 1.80
04.0146	KICKSTARTER AXLE INTERNAL BUSH	£ 7.63	£ 6.49
04.0147	LAYSHAFT 4TH GEAR 16 TEETH	£ 23.27	£ 19.80
04.0269	SEE 04.0434		
04.0336	CLUTCH CENTRE HUB	£ 39.95	£ 34.00
04.0351	CLUTCH RACE PLATE	£ 23.50	£ 20.00
04.0353	CLUTCH BACK PLATE	£ 14.22	£ 12.10
04.0354	CLUTCH SHOCK CENTRE	£ 39.95	£ 34.00
04.0355	CLUTCH STEEL PLATE	£ 6.00	£ 5.11
04.0356	CLUTCH SPRING STUD NUT	£ 1.00	£ 0.85
04.0358	CLUTCH SPRING	£ 1.50	£ 1.28
04.0360	CLUTCH PRESSURE PLATE ADJUSTER-USE 06.1179		
04.0362	USE 04.3445 & 3 OF 04.3446		
04.0363	USE 04.3188		
04.0367	CLUTCH ROLLER CAGE	£ 9.00	£ 7.66
04.0373	CLUTCH RETAINING NUT	£ 2.01	£ 1.71
04.0374	CLUTCH RETAINING NUT WASHER	£ 0.26	£ 0.22
04.0376	CLUTCH PRESSURE PLATE ADJUSTER NUT - USE 06.0005		
04.0384	CLUTCH SPRING STUD	£ 2.70	£ 2.30
04.0385	CLUTCH SPRING	£ 2.00	£ 1.70
04.0386/7	CLUTCH SHOCK RUBBERS (SET OF 6)	£ 6.00	£ 5.11
04.0388	CLUTCH SPRING CUP	£ 3.80	£ 3.23
04.0389	CLUTCH SPRING ADJUSTING NUT	£ 1.06	£ 0.90
04.0391	CLUTCH FRICTION PLATE	£ 9.50	£ 8.09
04.0407	CHAIN SPROCKET 16 TEETH (5/8-3/8)	£ 19.00	£ 16.17
04.0407-15	CHAIN SPROCKET 15 TEETH (5/8-3/8)	£ 19.00	£ 16.17
04.0418	MAINSHAFT 2ND GEAR - 18T	£ 58.01	£ 49.37
04.0431	KICKSTART PEDAL PIN	£ 17.32	£ 14.74
04.0432	DOMED NUT	£ 1.94	£ 1.65
04.0433	SPRING WASHER	£ 0.90	£ 0.77
04.0434	KICKSTARTER LEVER - GENUINE	£ 71.68	£ 61.00
04.0442	CAMPLATE PLUNGER SPRING	£ 0.90	£ 0.77
04.0451	CHAIN SPROCKET 17 TEETH (5/8-3/8)	£ 19.00	£ 16.17
04.0451-18	CHAIN SPROCKET 18 TEETH (5/8-3/8)	£ 19.00	£ 16.17
04.0472	KICKSTART COVER BUSH (1962 ON)	£ 6.79	£ 5.78
04.0473	KICKSTART AXLE BUSH (1962 ON)	£ 10.25	£ 8.72
04.0475	KICKSTART RETURN SPRING (1962 ON)	£ 3.50	£ 2.98
04.0477	KICKSTART AXLE WITH BUSH-USE 06.6169		
04.0479	FOOTCHANGE RETURN SPRING	£ 2.50	£ 2.13
04.0480	CHAIN SPROCKET 19 TEETH (5/8-3/8)	£ 19.00	£ 16.17
04.0498	O'RING	£ 0.83	£ 0.71
04.0503	SCREW	£ 0.13	£ 0.11
04.0584	CLUTCH BACK PLATE BONDED	£ 19.39	£ 16.50
04.0606	USE 06.2624		
04.0634	LAYSHAFT 3RD GEAR 20T	£ 54.60	£ 46.47
04.0635	MAINSHAFT 3RD GEAR 21T	£ 54.46	£ 46.35
04.1010	SPRING WASHER	£ 0.12	£ 0.10
04.1014	O'RING	£ 0.45	£ 0.38
04.1065	GROMMET	£ 0.34	£ 0.29
04.1084	COVER SCREW	£ 1.03	£ 0.88
04.1085	SCREW	£ 1.03	£ 0.88
04.1097	SCREW	£ 0.20	£ 0.17

PART NO	DESCRIPTION	PRICE + VAT	PRICE -VAT
04.1102	BUSH	£ 6.72	£ 5.72
04.1104	INSPECTION COVER (PLAIN)	£ 6.00	£ 5.11
04.1123	FIBRE WASHER	£ 0.30	£ 0.26
04.1124	NUT	£ 0.30	£ 0.26
04.1197	GEAR	£ 17.00	£ 14.47
04.1240	NUT	£ 0.80	£ 0.68
04.1255	GEARBOX SPROCKET 17 TEETH	£ 16.00	£ 13.62
04.1263	GEARBOX MAINSHAFT	£ 32.00	£ 27.23
04.1265	MAINSHAFT NUT	£ 1.40	£ 1.19
04.1267	OIL SEAL	£ 3.50	£ 2.98
04.1271	GEARBOX SPROCKET NUT	£ 4.75	£ 4.04
04.1272	GEARBOX SPROCKET LOCKWASHER	£ 1.25	£ 1.06
04.1275	SLEEVE GEAR BUSH	£ 4.50	£ 3.83
04.1276	GEAR	£ 24.00	£ 20.43
04.1279	GEAR	£ 18.00	£ 15.32
04.1281	CLUTCH ARM	£ 9.50	£ 8.09
04.1282	CLUTCH ARM BODY	£ 6.00	£ 5.11
04.1283	RATCHET	£ 12.50	£ 10.64
04.1285	CIRCLIP	£ 0.30	£ 0.26
04.1288	LAYSHAFT	£ 24.00	£ 20.43
04.1289	LAYSHAFT BUSH	£ 8.50	£ 7.23
04.1290	GEAR	£ 23.00	£ 19.57
04.1291	GEAR	£ 20.00	£ 17.02
04.1298	KICKSTARTER SHAFT BUSH	£ 9.50	£ 8.09
04.1299	FOOTCHANGE BUSH	£ 5.25	£ 4.47
04.1300	KICKSTARTER RATCHET	£ 13.00	£ 11.06
04.1301	WASHER	£ 0.60	£ 0.51
04.1305	PIN	£ 0.30	£ 0.26
04.1307	BUSH	£ 3.75	£ 3.19
04.1311	USE 06.1499		
04.1321	FOOTCHANGE SHAFT	£ 16.50	£ 14.04
04.1322	PAWL PIN	£ 2.75	£ 2.34
04.1323	WASHER	£ 0.40	£ 0.34
04.1325	SPRING	£ 0.75	£ 0.64
04.1326	FOOTCHANGE PAWL	£ 6.00	£ 5.11
04.1327	FOOTCHANGE SPRING	£ 2.00	£ 1.70
04.1328	FOOTCHANGE SPRING	£ 2.00	£ 1.70
04.1332	CAMPLATE SPINDLE	£ 12.50	£ 10.64
04.1334	CAMPLATE	£ 17.50	£ 14.89
04.1340	NUT	£ 0.85	£ 0.72
04.1345	SELECTOR FORK SHAFT	£ 4.25	£ 3.62
04.1355	CAMPLATE PLUNGER BOLT	£ 4.15	£ 3.53
04.1358	SPRING	£ 1.50	£ 1.28
04.1389	WASHER	£ 0.40	£ 0.34
04.1391	OIL SEAL SPACER	£ 4.65	£ 3.96
04.1393	RATCHET CIRCLIP	£ 0.40	£ 0.34
04.1394	BLANKING CAP	£ 1.00	£ 0.85
04.1400	STOP PLATE BOLT	£ 1.82	£ 1.55
04.1467	CAP OVER GEAR INDICATOR	£ 2.50	£ 2.13
04.1468	PIN	£ 2.00	£ 1.70
04.1469	KICKSTARTER BUSH	£ 6.50	£ 5.53
04.1521	FOOTCHANGE SPRING PLATE	£ 2.30	£ 1.96
04.1640	WASHER	£ 1.20	£ 1.02
04.1701	MAINSHAFT	£ 36.00	£ 30.64
04.1702	CLUTCH BODYLOCK RING	£ 6.50	£ 5.53
04.1703	MAINSHAFT	£ 35.00	£ 29.79
04.2007	BIG END CAGE	£ 20.00	£ 17.02
04.2017	CAM PINION	£ 16.50	£ 14.04
04.2019	DRIVE SIDE FLYWHEEL	£ 38.00	£ 32.34
04.2020	TIMING SIDE FLYWHEEL	£ 38.00	£ 32.34

PART NO	DESCRIPTION	PRICE + VAT	PRICE -VAT
04.2025	INSPECTION COVER GASKET	£ 0.40	£ 0.34
04.2032	INLET VALVE	£ 12.00	£ 10.21
04.2033	EXHAUST VALVE	£ 12.00	£ 10.21
04.2036	BOLT	£ 1.50	£ 1.28
04.2040	CHAINCASE CAP	O/S	
04.2041	ROCKER ARM	£ 12.00	£ 10.21
04.2042	ROCKER ARM	£ 12.00	£ 10.21
04.2043	ROCKER ARM	£ 12.00	£ 10.21
04.2044	OIL PUMP END PLUG	£ 2.50	£ 2.13
04.2045	OIL PUMP END PLUG	£ 3.75	£ 3.19
04.2046	OIL PUMP BOLT	£ 1.20	£ 1.02
04.2055	FELT WASHER	£ 0.80	£ 0.68
04.2055	FELT WASHER	£ 0.65	£ 0.55
04.2057	CAP	£ 1.55	£ 1.32
04.2058	OIL FILTER CAP	£ 5.75	£ 4.89
04.2061	OIL FILTER	£ 6.00	£ 5.11
04.2062	OIL FILTER CAP	£ 0.65	£ 0.55
04.2063	OIL FILTER CAP	£ 1.10	£ 0.94
04.2064	OIL FILTER SPRING	£ 1.20	£ 1.02
04.2065	ALUMINIUM WASHER	£ 0.85	£ 0.72
04.2068	INLET VALVE GUIDE	£ 6.50	£ 5.53
04.2069	EXHAUST VALVE GUIDE	£ 6.50	£ 5.53
04.2071	CAMFOLLOWER	£ 23.50	£ 20.00
04.2074	PUSHROD BOTTOM	£ 3.50	£ 2.98
04.2078	ROCKERBOX (BARE)	£ 30.00	£ 25.53
04.2081	ROCKER AXLE	£ 12.00	£ 10.21
04.2082	CAM FOLLOWER SPINDLE	£ 3.00	£ 2.55
04.2083	OIL TANK	£ 24.00	£ 20.43
04.2085	CAM FOLLOWER SPACER	£ 1.25	£ 1.06
04.2088	CAM FOLLOWER SPACER	£ 1.25	£ 1.06
04.2095	CYLINDER BASE GASKET	£ 1.00	£ 0.85
04.2096	ROCKER AXLE FELT	£ 0.85	£ 0.72
04.2100	CAMSHAFT BUSH	£ 5.00	£ 4.26
04.2101	CAMSHAFT BUSH	£ 5.00	£ 4.26
04.2102	ROCKER BOX BOLT	£ 1.85	£ 1.57
04.2103	ROCKER BOX BOLT	£ 1.85	£ 1.57
04.2104	OIL PUMP PLUNGER	£ 42.00	£ 35.74
04.2135	GEARBOX INNER COVER	£ 37.00	£ 31.49
04.2137	DOWEL PIN	£ 0.85	£ 0.72
04.2139	GEARBOX OUTER COVER	£ 32.00	£ 27.23
04.2141	CLUTCH LEVER BODY	£ 6.00	£ 5.11
04.2142	CLUTCH OPERATING ARM	£ 7.50	£ 6.38
04.2144	FOOTCHANGE SHAFT	£ 22.00	£ 18.72
04.2145	BUSH	£ 3.65	£ 3.11
04.2146	FOOTCHANGE SPINDLE	£ 4.00	£ 3.40
04.2150	VALVE COLLET (PAIR)	£ 4.50	£ 3.83
04.2153	GEARBOX FILLER CAP	£ 6.50	£ 5.53
04.2154	INSPECTION COVER GASKET	£ 0.40	£ 0.34
04.2155	CYLINDER STUD	£ 2.75	£ 2.34
04.2157	CYLINDER HEAD SLEEVE NUT WASHER	£ 0.65	£ 0.55
04.2158	GEARBOX GASKET	£ 1.20	£ 1.02
04.2159	GEARBOX GASKET	£ 1.20	£ 1.02
04.2160	DRAIN BOLT	£ 2.40	£ 2.04
04.2163	ROCKERBOX GASKET	£ 1.75	£ 1.49
04.2164	ROCKERBOX FILLET RUBBER	£ 1.25	£ 1.06
04.2167	POINTS COVER	£ 7.50	£ 6.38
04.2168	POINTS COVER GASKET	£ 0.45	£ 0.38
04.2169	CRANKCASE GASKET	£ 0.45	£ 0.38
04.2170	OIL TANK GASKET	£ 1.20	£ 1.02
04.2171	CAMSHAFT HOUSING GASKET	£ 1.20	£ 1.02

PART NO	DESCRIPTION	PRICE + VAT	PRICE -VAT
04.2172	POINTS COVER SCREW	£ 0.25	£ 0.21
04.2173	TIMING SIDE AXLE	£ 38.00	£ 32.34
04.2177	O'RING	£ 0.40	£ 0.34
04.2178	O'RING	£ 0.40	£ 0.34
04.2180	CHAINCASE GASKET	£ 1.75	£ 1.49
04.2182	CAMSHAFT HOUSING COVER	£ 26.00	£ 22.13
04.2183	CAMSHAFT OIL SEAL	£ 4.00	£ 3.40
04.2186	FIBRE WASHER	£ 0.20	£ 0.17
04.2188	STATOR STUD	£ 0.75	£ 0.64
04.2190	BOLT	£ 1.50	£ 1.28
04.2191	BOLT	£ 1.50	£ 1.28
04.2192	BOLT	£ 1.50	£ 1.28
04.2193	BOLT	£ 1.50	£ 1.28
04.2195	ROTOR KEY - USE 06.5718		
04.2196	CYLINDER HEAD BOLT	£ 1.25	£ 1.06
04.2201	SUMP PLUG	£ 3.25	£ 2.77
04.2209	ENGINE SPROCKET 21 TEETH	£ 22.00	£ 18.72
04.2210	ENGINE SPROCKET 22 TEETH	£ 22.00	£ 18.72
04.2219	BREATHER ROTOR	£ 8.00	£ 6.81
04.2221	BREATHER BOLT	£ 2.15	£ 1.83
04.2238	SMALL END BUSH	£ 8.00	£ 6.81
04.2239	TIMING SIDE AXLE BUSH	£ 17.50	£ 14.89
04.2248	BIG END NUT	£ 3.25	£ 2.77
04.2250	BIG END THRUST WASHER	£ 4.00	£ 3.40
04.2265	SCREW	£ 0.60	£ 0.51
04.2272	WASHER	£ 0.20	£ 0.17
04.2304	GUDGEON PIN	£ 7.85	£ 6.68
04.2343	CENTRE STAND WIRE	£ 2.75	£ 2.34
04.2360	SWINGING ARM COTTER PIN	£ 5.00	£ 4.26
04.2361	CHAIN ADJUSTER	£ 1.65	£ 1.40
04.2363	SWINGING ARM BUSH	£ 8.50	£ 7.23
04.2388	ENGINE PLATE	£ 10.00	£ 8.51
04.2392	SPACER	£ 0.65	£ 0.55
04.2396	GEARBOX BOLT	£ 2.85	£ 2.43
04.2398	TRUNION	£ 1.25	£ 1.06
04.2399	SPACER	£ 1.00	£ 0.85
04.2402	GEARBOX STRAP	£ 10.00	£ 8.51
04.2403	COWLING	£ 26.00	£ 22.13
04.2425	SPACER	£ 0.40	£ 0.34
04.2446	FOOTREST ROD	£ 4.75	£ 4.04
04.2452	BRAKE PEDAL RETURN SPRING	£ 2.25	£ 1.91
04.2453	BRAKE PEDAL STOP	£ 2.00	£ 1.70
04.2455	GROMMET	£ 0.90	£ 0.77
04.2459	STUD	£ 1.20	£ 1.02
04.2471	WASHER	£ 0.60	£ 0.51
04.2472	CAPTIVE NUT	£ 1.50	£ 1.28
04.2475	RUBBER STOP	£ 0.80	£ 0.68
04.2478	PILLION FOOTREST HANGER	£ 12.00	£ 10.21
04.2483	SPOKE	£ 0.60	£ 0.51
04.2489	CAPTIVE NUT	£ 1.50	£ 1.28
04.2563	PLATE	£ 2.60	£ 2.21
04.2568	PILLION FOOTREST PEG	£ 6.00	£ 5.11
04.2569	FOOTREST RUBBER	£ 2.40	£ 2.04
04.2571	NUT	£ 1.60	£ 1.36
04.2610	STEERING RACE	£ 20.00	£ 17.02
04.2611	STEERING RACE	£ 20.00	£ 17.02
04.2652	SLEEVE NUT	£ 2.60	£ 2.21
04.2678	SUSPENSION BOLT	£ 2.65	£ 2.26
04.2699	HEAD STEADY BRACKET	£ 15.00	£ 12.77
04.2710	CARBURETTOR STUD	£ 1.50	£ 1.28

PART NO	DESCRIPTION	PRICE + VAT	PRICE -VAT
04.2725	CLUTCH ROD	£ 2.30	£ 1.96
04.2728	BRAKE DRUM SECURING BOLT	£ 1.25	£ 1.06
04.2732	WASHER	£ 0.40	£ 0.34
04.2812	CRANKCASE BADGE - MATCHLESS	£ 5.00	£ 4.26
04.2813	CRANKCASE BADGE - AJS	£ 5.00	£ 4.26
04.2833	PROP STAND RETURN SPRING	£ 2.50	£ 2.13
04.2835	PLUNGER	£ 2.60	£ 2.21
04.2840	CYLINDER HEAD GASKET	£ 3.00	£ 2.55
04.2846	RUBBER	£ 0.60	£ 0.51
04.2856	ADJUSTER	£ 1.20	£ 1.02
04.2868	EXHAUST VALVE	£ 16.00	£ 13.62
04.2869	EXHAUST VALVE GUIDE	£ 6.50	£ 5.53
04.2870	VALVE COLLET (PAIR)	£ 4.00	£ 3.40
04.2879	BRAKE PLATE STOP BOLT	£ 2.40	£ 2.04
04.2900	CIRCLIP	£ 0.60	£ 0.51
04.2937	GEARBOX DRAW BOLT	£ 3.25	£ 2.77
04.2938	GEARBOX TOP BOLT	£ 4.25	£ 3.62
04.2946	SHIM	£ 0.80	£ 0.68
04.2977	BATTERY CARRIER	£ 32.00	£ 27.23
04.2983	BATTERY CARRIER STRAP	£ 10.00	£ 8.51
04.3036	BREATHER BODY	£ 5.50	£ 4.68
04.3092	AIR INTAKE TUBE	£ 5.00	£ 4.26
04.3095/6	HANDLEBAR CLAMP (PAIR)	£ 12.00	£ 10.21
04.3174	CLUTCH STUD	£ 3.25	£ 2.77
04.3185	CLUTCH CENTRE	£ 34.00	£ 28.94
04.3188	CLUTCH COVER PLATE SCREW	£ 0.90	£ 0.77
04.3189	CLUTCH STUD	£ 3.25	£ 2.77
04.3190	CLUTCH ROLLER CAGE	£ 7.50	£ 6.38
04.3191	CLUTCH STEEL PLATE	£ 6.00	£ 5.11
04.3192	CLUTCH FRICTION PLATE (DOUBLE SIDED)	£ 8.50	£ 7.23
04.3193	CLUTCH FRICTION PLATE (SINGLE SIDED)	£ 9.42	£ 8.02
04.3195	CLUTCH RACE PLATE	£ 20.00	£ 17.02
04.3196	CLUTCH BACK PLATE	£ 14.00	£ 11.91
04.3235	STEERING STEM	£ 7.50	£ 6.38
04.3236	SPACER	£ 0.85	£ 0.72
04.3239	STEERING RACE	£ 9.50	£ 8.09
04.3240	STEERING RACE	£ 9.50	£ 8.09
04.3241	DUST CAP	£ 3.00	£ 2.55
04.3242	FORK NUT	£ 1.65	£ 1.40
04.3243	NUT	£ 1.50	£ 1.28
04.3244	WASHER	£ 0.30	£ 0.26
04.3245	SCREW	£ 0.65	£ 0.55
04.3246	SPRING ADAPTOR	£ 2.75	£ 2.34
04.3257	DAMPER TUBE SPACER	£ 0.40	£ 0.34
04.3260	MUDGUARD BRIDGE CLAMP L/H	£ 4.50	£ 3.83
04.3261	MUDGUARD BRIDGE CLAMP R/H	£ 4.50	£ 3.83
04.3262	FORK DOMED NUT	£ 5.00	£ 4.26
04.3263	WASHER	£ 0.65	£ 0.55
04.3269	WASHER	£ 0.65	£ 0.55
04.3272	BRAKE CAM	£ 7.50	£ 6.38
04.3274	BRAKE ARM	£ 6.00	£ 5.11
04.3276	WASHER	£ 0.60	£ 0.51
04.3278	BRAKE SHOE SPRING	£ 2.20	£ 1.87
04.3281	OIL SEAL CUP	£ 1.20	£ 1.02
04.3282	FRONT HUB DUST CAP	£ 3.25	£ 2.77
04.3283	WHEEL WASHER	£ 0.45	£ 0.38
04.3286	REAR WHEEL SPACER L/H	£ 0.85	£ 0.72
04.3287	SPACER	£ 1.20	£ 1.02
04.3288	SPACER	£ 0.85	£ 0.72
04.3291-56	REAR SPROCKET - 56 TEETH	£ 22.00	£ 18.72

PART NO	DESCRIPTION	PRICE + VAT	PRICE -VAT
04.3296	REAR BRAKE ARM TRUNION	£ 1.25	£ 1.06
04.3299	FELT WASHER	£ 0.65	£ 0.55
04.3300	HUB BEARING FELT SEAL CUP	£ 1.45	£ 1.23
04.3301	HUB BEARING FELT WASHER	£ 0.90	£ 0.77
04.3302	REAR WHEEL SPINDLE	£ 12.00	£ 10.21
04.3303	REAR WHEEL SPINDLE NUT	£ 2.00	£ 1.70
04.3304	REAR WHEEL SPINDLE WASHER	£ 0.65	£ 0.55
04.3305	REAR WHEEL SPINDLE LOCKNUT	£ 0.85	£ 0.72
04.3306	WASHER	£ 0.40	£ 0.34
04.3307	REAR WHEEL SPACER L/H	£ 1.20	£ 1.02
04.3314	WASHER	£ 0.40	£ 0.34
04.3334	FORK CHROME TRIM	£ 7.50	£ 6.38
04.3338	CLUTCH STUD	£ 3.25	£ 2.77
04.3339	CLUTCH RACE PLATE	£ 22.00	£ 18.72
04.3341	CLUTCH BACK PLATE	£ 14.00	£ 11.91
04.3348	FORNT WHEEL SPINDLE	£ 12.50	£ 10.64
04.3349	FRONT HUB BEARING SPACER	£ 2.45	£ 2.09
04.3350	PRESSING FOR DISTANCE PIECE	£ 1.25	£ 1.06
04.3354	COVER PLATE SPACER	£ 1.20	£ 1.02
04.3356	COVER PLATE SPACER	£ 3.75	£ 3.19
04.3357	COVER PLATE SPACER NUT	£ 1.95	£ 1.66
04.3358	SPACER	£ 0.60	£ 0.51
04.3420	DUST CAP	£ 3.00	£ 2.55
04.3440	BRACKET	£ 1.40	£ 1.19
04.3441	CLUTCH SPRING STUD	£ 3.25	£ 2.77
04.3441	CLUTCH SPRING STUD	£ 3.25	£ 2.77
04.3442	USE 04.1392		
04.3445	CLUTCH SHOCK PLATE	£ 12.50	£ 10.64
04.3446	CLUTCH SHOCK PLATE SCREW	£ 0.45	£ 0.38
04.3558	SPOKE	£ 0.60	£ 0.51
04.3612	OIL PUMP END PLUG	£ 2.50	£ 2.13
04.3684	VALVE SPRING SEAT	£ 4.75	£ 4.04
04.3702	BRAKE SHOE SPRING	£ 2.00	£ 1.70
04.3705	FELT	£ 0.60	£ 0.51
04.3706	DUST CAP	£ 2.25	£ 1.91
04.3710	WHEEL NUT	£ 2.45	£ 2.09
04.3713	SPRING WASHER	£ 0.20	£ 0.17
04.3717	SPACER	£ 1.20	£ 1.02
04.3719	TUBE	£ 1.60	£ 1.36
04.3720	WASHER	£ 1.20	£ 1.02
04.3721	BRAKE SHOE SPRING	£ 2.00	£ 1.70
04.3722	BRAKE EXPANDER	£ 9.50	£ 8.09
04.4002	INLET VALVE	£ 16.00	£ 13.62
04.4031	AIR FILTER RUBBER	£ 1.20	£ 1.02
04.4035	VALVE LIFTER SPRING	£ 2.45	£ 2.09
04.4036	ROCKER ARM	£ 14.00	£ 11.91
04.4057	22 TEETH SPROCKET	£ 17.50	£ 14.89
04.4058	SHIM	£ 0.80	£ 0.68
04.4066	ROTOR WASHER	£ 0.40	£ 0.34
04.4070	BIG END THRUST WASHER	£ 6.00	£ 5.11
04.4080	LAYSHAFT 1ST GEAR	£ 24.00	£ 20.43
04.4081	LAYSHAFT 1ST GEAR BUSH	£ 4.75	£ 4.04
04.4082	2ND GEAR	£ 23.00	£ 19.57
04.4083	BREATHER BOLT	£ 5.25	£ 4.47
04.4084	BREATHER STATOR	£ 4.75	£ 4.04
04.4216	SLEEVE	£ 0.85	£ 0.72
04.4244	PETROL TANK 'T' BOLT	£ 3.25	£ 2.77
04.4249	CAPTIVE NUT	£ 1.65	£ 1.40
04.4263	FRONT WHEEL SPINDLE	£ 12.00	£ 10.21
04.4264	WASHER	£ 0.40	£ 0.34

PART NO	DESCRIPTION	PRICE + VAT	PRICE -VAT
04.4272	SLEEVE NUT	£ 2.50	£ 2.13
04.4308	PETROL TANK CENTRE BEAD	£ 16.50	£ 14.04
04.4427	PETROL TANK BRACKET	£ 9.50	£ 8.09
04.5057	FIBRE WASHER	£ 0.30	£ 0.26
04.5062	FOOTCHANGE BOLT WASHER	£ 0.20	£ 0.17
04.5114	GEAR	£ 22.00	£ 18.72
04.5115	GEAR	£ 22.00	£ 18.72
04.5205	KICKSTARTER PAWL	£ 8.50	£ 7.23
04.5206	KICKSTARTER PAWL PIN	£ 1.45	£ 1.23
04.5209	KICKSTARTER PAWL SPRING	£ 1.45	£ 1.23
04.5266	FOOTCHANGE SPRING	£ 2.00	£ 1.70
04.5296	KICKSTARTER RETURN SPRING	£ 4.75	£ 4.04
04.5299	SHIM	£ 0.85	£ 0.72
04.8023	CRANKSHAFT OIL SEAL	£ 2.00	£ 1.70
04.8079	CIRCLIP	£ 0.40	£ 0.34
04.8112	PUSHROD BALL END	£ 4.75	£ 4.04
04.8199	SPRING	£ 0.80	£ 0.68
04.8269	VALVE	£ 16.00	£ 13.62
04.8471	SPACER WASHER	£ 0.40	£ 0.34
04.8499	PETROL TANK BADGE - MATCHLESS	O/S	
04.8500	TANK BADGE RUBBER	£ 2.25	£ 1.91
04.8501	PETROL TANK BADGE - AJS	£ 19.50	£ 16.60
04.8502	TANK BADGE RUBBER	£ 2.25	£ 1.91
06.0005	CLUTCH PRESSURE PLATE ADJUSTER NUT	£ 0.31	£ 0.26
06.1179	CLUTCH PRSSURE PLATE ADJUSTER	£ 3.75	£ 3.19
06.1499	FOOTCHANGE PEDAL (GENUINE)	£ 30.00	£ 25.53
06.2015	KICKSTARTER PAWL	£7.00	£ 5.96
06.4049	FOOTCHANGE STOP PLATE	£ 1.35	£ 1.15
06.5718	ROTOR KEY	£ 0.90	£ 0.77
06.6169	KICKSTARTER AXLE WITH BUSH	£ 82.37	£ 70.10
06.6665	LAYSHAFT 3RD GEAR BUSH	£10.05	£ 8.55
06.7696	BANJO BOLT	£ 2.28	£ 1.94
T2076	use 03.0173		
T1084	use 06.7696		

SECTION 2 : STEERING DAMPERS

SDA-100	MATCHLESS STEERING DAMPER ASSEMBLY FOR ALL MODELS WITH TELEDRAULIC FORKS	£ 32.75	£ 27.87
SDA-200	AJS STEERING DAMPER ASSEMBLY FOR ALL MODELS WITH TELEDRAULIC FORKS	£ 35.25	£ 30.00

SECTION 3 : BIG END BEARINGS FOR SINGLE CYLINDER MODELS

BE-100	BIG END ASSEMBLY FOR ALL ROAD MODELS 1939-1963 ALSO FITS ALL TRIALS MODELS OF THIS PERIOD AND CS SCRAMBLERS UP TO 1955	£ 95.00	£ 80.85
BE-200	BIG END ASSEMBLY FOR ALL MODELS 1964 AND ON. ALSO FITS ALL CS SCRAMBLERS FROM 1956 ON	£ 120.00	£ 102.13
BE-300	EXCHANGE CONNECTING ROD ASSEMBLY FOR 250 STD LIGHTWEIGHT MODELS	£ 125.00	£ 106.38
BE-400	EXCHANGE CONNECTING ROD ASSEMBLY FOR 250 CSR LIGHTWEIGHT MODELS	£ 130.00	£ 110.64
BE-500	EXCHANGE CONNECTING ROD ASSEMBLY FOR 350 LIGHTWEIGHT MODELS	£ 140.00	£ 119.15

PART NO	DESCRIPTION	PRICE + VAT	PRICE -VAT
SECTION 4 : BURMAN CP GEARBOX & CLUTCH			
10-C-15	MAINSHAFT	£ 46.00	£ 39.15
10-X	SAME AS 10-X-1		
10-X-1	GEAR LEVER CLAMP BOLT NUT	£ 0.20	£ 0.17
112-C	FELT WASHER FOR MAIN GEAR BEARING	£ 2.00	£ 1.70
113-C	SPLIT RING RETAINING BEARING WASHER	£ 1.65	£ 1.40
113-C-2	SPLIT RING FOR LARGE BEARING	£ 2.50	£ 2.13
114-C	PLAIN WASHER FOR LARGE BEARING	£ 1.50	£ 1.28
114-C-2	PLAIN WASHER FOR LARGE BEARING	£ 1.50	£ 1.28
115-C	DISHED WASHER FOR MAIN GEAR	£ 2.00	£ 1.70
115-X	SAME AS 115-X-1		
115-X-1	PEDAL PIN FOR KICKSTARTER	£ 9.00	£ 7.66
12-5-2	CAP IN INNER CASE FOR SELECTOR BUSH	£ 1.00	£ 0.85
130-X	KICKSTARTER RETURN SPRING	£ 7.00	£ 5.96
130-X-2	KICKSTARTER RETURN SPRING		
132-X-2	ANCHOR PIN FOR KICKSTARTER SPRING	£ 1.50	£ 1.28
14-C-4	MAINSHAFT SLIDING GEAR 18/23 TEETH	£ 30.00	£ 25.53
144-X			
144-X-1	KICKSTARTER BOLT NUT	£ 0.50	£ 0.43
15-C-12	MAINSHAFT DRIVING GEAR 32 TEETH	£ 35.00	£ 29.79
15-C-6	MIANSHAFT DRIVING GEAR 30 TEETH	£ 35.00	£ 29.79
157-X	SAME AS 157-X-1		
157-X-1	SELECTOR FORK PEG	£ 2.35	£ 2.00
159-X	SAME AS 159-X-1		
159-X-1	CAMSHAFT BUSH IN SHELL	£ 3.00	£ 2.55
160-X-2	CAMSHAFT BUSH IN KICKSTARTER CASE	£ 7.00	£ 5.96
160-X-3	CAMSHAFT BUSH IN KICKSTARTER CASE	£ 7.00	£ 5.96
163-X-2	CAMSHAFT PAWL	£ 6.00	£ 5.11
164-X	SAME AS 164-X-1		
164-X-1	CAMSHAFT PAWL PIN	£ 2.50	£ 2.13
175-X-4	CLUTCH OPERATING LEVER	£ 10.00	£ 8.51
176-X	SAME AS 176-X-1		
176-X-1	GEARBOX SPROCKET NUT	£ 5.00	£ 4.26
177-X	SAME AS 177-X-1		
177-X-1	MAIN GEAR BALL BEARING	£ 35.00	£ 29.79
179-X-7	GEARBOX SPROCKET 16 TEETH	£ 26.50	£ 22.55
180-X-8	GEARBOX SPROCKET SPACER 7/16"	£ 4.00	£ 3.40
181-X	SAME AS 181-X-1		
181-X-1	LAYSHAFT BEARING	£ 7.65	£ 6.51
182-X	SAME AS 182-X-1		
182-X-1	CAP COVERING LAYSHAFT BUSH		
183-X	SAME AS 183-X-1		
183-X-1	KICKSTARTER RATCHET PINION	£ 25.00	£ 21.28
184-X	SAME AS 184-X-1		
184-X-1	KICKSTARTER RATCHET PINION BUSH	£ 4.50	£ 3.83
185-X	SAME AS 185-X-1		
185-X-1	KICKSTARTER RATCHET PINION SPRING	£ 1.50	£ 1.28
186-X	SAME AS 186-X-1		
186-X-1	KICKSTARTER RATCHET	£ 25.00	£ 21.28
187-X-3	SLEEVE GEAR BUSH	£ 4.70	£ 4.00
193-X-1	CAMSHAFT PAWL SPRING	£ 1.50	£ 1.28
194-X-26	KICKSTARTER LEVER (INCLUDING PIN)		
2-1C-2	GEARBOX INNER GASKET	£ 1.20	£ 1.02
2-X-17	CENTRE FOR 5 PLATE CLUTCH	£ 65.00	£ 55.32
200-X-3	KICKSTARTER COVER BUSH	£ 5.50	£ 4.68
200-X-7	KICKSTARTER SHAFT OUTER BUSH		
201-X-2	KICKSTARTER SHAFT BUSH	£ 4.70	£ 4.00

PART NO	DESCRIPTION	PRICE + VAT	PRICE -VAT
202-X	SAME AS 202-X-1		
202-X-1	PEG FOR KICKSTARTER STOP RUBBER	£ 2.00	£ 1.70
206-X-1	COLLAR UNDER GEARBOX SPROCKET 3/16"	£ 2.00	£ 1.70
21-X-3	CLUTCH SPRING	£ 1.50	£ 1.28
210-X	SAME AS 210-X-1		
210-X-1	GEARBOX SPROCKET LOCKWASHER	£ 1.75	£ 1.49
212-X	CLUCH NUT SPRING WASHER	£ 0.50	£ 0.43
22-X	SAME AS 22-X-2		
22-X-2	CLUTCH SPRING CUP	£ 3.60	£ 3.06
23-X	SAME AS 23-X-3		
23-X-3	CLUTCH SPRING ADJUSTER	£ 1.50	£ 1.28
24-C-4	MAINSHAFT 3RD GEAR 29 TEETH	£ 27.00	£ 22.98
24-X-11	CLUTCH SPRING STUD (4PLATE)	£ 2.30	£ 1.96
24-X-12	CLUTCH SPRING STUD (5PLATE)	£ 2.45	£ 2.09
25-C-5	LAYSHAFT 3RD GEAR 21 TEETH	£ 25.00	£ 21.28
26-C-5	LAYSHAFT 2ND GEAR 27 TEETH	£ 25.00	£ 21.28
27-8-3	FELT FOR GEAR CHANGE LEVER	£ 0.80	£ 0.68
27-C-5	1 ST GEAR LAYSHAFT 32 TEETH	£ 25.00	£ 21.28
28-C-6	LAYSHAFT SMALL GEAR 18 TEETH	£ 25.00	£ 21.28
28-X-4	CLUTCH ROD 9.7/8"	£ 4.70	£ 4.00
28-X-56	SAME AS 28-X-4		
28-X-57	ROD FOR 5 PLATE CLUTCH		
286-X	SAME AS 286-X-1		
286-X-1	STUD 2.1/4"-1/4"	£ 1.50	£ 1.28
29-C-3	LAYSHAFT SLIDING CLUTCH	£ 18.50	£ 15.74
3-C-7	KICKSTARTER CASE	£ 35.00	£ 29.79
3-X-2	CLUTCH FRICTION PLATE	£ 11.00	£ 9.36
30-C-9	LAYSHAFT	£ 35.00	£ 29.79
315-X	SAME AS 315-X-1		
315-X-1	KICKSTARTER LEVER BOLT	£ 1.50	£ 1.28
320-X	SAME AS 320-X-1		
320-X-1	KICKSTARTER STOP RUBBER	£ 2.85	£ 2.43
326-X	SAME AS 326-X-1		
326-X-1	GEARBOX OIL FILLER CAP	£ 7.65	£ 6.51
328-X	SAME AS 328-X-1		
328-X-1	CLUTCH OPERATING LEVER FORK COVER	£ 6.00	£ 5.11
329-X-1	CLUTCH OPERATING LEVER FORK	£ 4.00	£ 3.40
331-X-1	CLUTCH OPERATING LEVER FORK NUT	£ 1.20	£ 1.02
333-X	SCREW FIXING CAP TO COVER	£ 0.30	£ 0.26
34-X-2	CLUTCH ROLLER RACE	£ 8.40	£ 7.15
348-X	SAME AS 348-X-1		
348-X-1	GEARBOX DRAIN PLUG	£ 1.50	£ 1.28
349-X-3	CLUTCH NUT LOCKING WASHER	£ 1.25	£ 1.06
35-X	CLUTCH RACE ROLLER	£ 0.50	£ 0.43
356-X-1	GEARBOX DRAIN PLUG WASHER	£ 0.25	£ 0.21
36-X-2	CLUTCH RACE THIN WASHER	£ 3.60	£ 3.06
36-X-3	CLUTCH RACE THICK WASHER	£ 3.60	£ 3.06
37-1C-2	WASHER FOR MAINSHAFT BALL BEARING	£ 1.20	£ 1.02
37-2-C	CIRCLIP FOR SMALL BEARING	£ 1.50	£ 1.28
4-1C-2	GEARBOX OUTER GASKET	£ 1.20	£ 1.02
4-C-8	COVER FOR KICKSTARTER CASE	£ 30.00	£ 25.53
42-C	SAME AS 42-C-1		
42-C-1	SELECTOR FORK (MAINSHAFT)	£ 32.00	£ 27.23
43-C	SAME AS 43-C-1		
43-C-1	SELECTOR FORK (LAYSHAFT)	£ 32.00	£ 27.23
45-C-3	CAMSHAFT	£ 25.00	£ 21.28
5-X	SAME AS 5-X-1		
5-X-1	CLUTCH STEEL PLATE	£ 6.00	£ 5.11
6-X-2	CLUTCH THICK STEEL PLATE	£ 12.00	£ 10.21
60-X-6	STUD 1.1/16"-5/16"	£ 1.50	£ 1.28

PART NO	DESCRIPTION	PRICE + VAT	PRICE -VAT
60-X-9	STUD FOR SHELL	£ 2.00	£ 1.70
66-X-7	CLUTCH OPERATING LEVER PIN	£ 0.60	£ 0.51
68-X	SAME AS 68-X-1		
68-X-1	MAINSHAFT BALL BEARING	£ 7.50	£ 6.38
69-X	SAME AS 69-X-1		
69-X-1	CLUTCH RETAINING NUT	£ 3.25	£ 2.77
69-X-2	CLUTCH RETAINING NUT	£ 3.25	£ 2.77
7-XA-4	CLUTCH SPROCKET & CASE (4 PLATE)	£ 50.00	£ 42.55
70-X	SAME AS 70-X-1		
70-X-1	KICKSTARTER RATCHET PINION NUT	£ 2.00	£ 1.70
71-X	CLUTCH NUT PLAIN WASHER	£ 0.65	£ 0.55
80-X	SAME AS 80-X-1		
80-X-1	CIRCLIP FOR LARGE BEARING	£ 2.50	£ 2.13
95-X-1	CAMSHAFT PAWL PIN NUT	£ 0.20	£ 0.17
98-X-1	SCREW FOR CAMSHAFT PAWL SPRING	£ 1.70	£ 1.45
CO-49-5	SPRING BOX		
CO-51-6	GEAR SELECTOR RATCHET	£ 15.00	£ 12.77
CO-51-6A	QUADRANT AND RATCHET ASSEMBLED	£ 30.00	£ 25.53
CO-52-5	FOOTCHANGE INDEXING PAWL	£ 9.50	£ 8.09
CO-53-4	QUADRANT FOR FOOT GEAR CONTROL	£ 12.00	£ 10.21
CO-53-4A	QUADRANT ASSEMBLY FOR FOOT GEAR CONTROL	£ 30.00	£ 25.53
CO-54-14	SAME AS CO-54-7		
CO-54-7	FOOTCHANGE OUTER BUSH	£ 9.50	£ 8.09
CO-56-4	SPRING BOX COVER PLATE	£ 3.50	£ 2.98
CO-58-1	FOOTCHANGE SPRING PLATE (LARGE)	£ 1.20	£ 1.02
CO-59-1	FOOTCHANGE SPRING PLATE (SMALL)	£ 1.20	£ 1.02
CO-63-3	GEAR LEVER CLAMP BOLT	£ 0.60	£ 0.51
CO-66-1	FOOTCHANGE SPRING (LARGE)	£ 1.50	£ 1.28
CO-67-1	FOOTCHANGE SPRING (SMALL)	£ 1.50	£ 1.28
CO-82-2	GEAR LEVER RUBBER	£ 1.50	£ 1.28
CO-90	SPINDLE FOR GEAR CONTROL QUADRANT	£ 6.50	£ 5.53
CO-94	SLEEVE FOR FOOT GEAR CONTROL QUADRANT	£ 12.50	£ 10.64
CO-95-1	FOOTCHANGE OUTER BUSH BOLT	£ 3.00	£ 2.55
CO-97-1	GEAR POSITION INDICATOR (FIXED)		
CO-97-2	GEAR POSITION INDICATOR (MOVING)	£ 3.50	£ 2.98
CO82-3	USE CO-82-2		

SECTION 5 : BURMAN B52 GEARBOX & CLUTCH

01.8337	CAMSHAFT	£ 30.00	£ 25.53
01.8339	CASE AND CHAINWHEEL FOR 5 PLATE CLUTCH	£ 135.00	£114.89
11-11-1	GEARBOX SPROCKET NUT	£ 5.00	£ 4.26
11-2-2	CLUTCH SPRING ADJUSTER	£ 1.50	£ 1.28
11-2-3	GEAR INDICATOR NUT	£ 0.90	£ 0.77
11-7-10	KICKSTARTER RATCHET PINION NUT	£ 1.85	£ 1.57
11-7-11	CLUTCH RETAINING NUT	£ 3.25	£ 2.77
11-7-8	CLUTCH ROD ADJUSTER LOCK NUT	£ 1.85	£ 1.57
12-10-2	CLUTCH ROLLER RACE	£ 8.40	£ 7.15
12-10-3	CLUTCH RACE THIN WASHER	£ 3.60	£ 3.06
12-10-4	CLUTCH RACE THICK WASHER	£ 3.60	£ 3.06
12-11-1	GEARBOX SPROCKET LOCKWASHER	£ 1.75	£ 1.49
12-11-3	GEARBOX SPROCKET SPACER 1/16"	£ 1.50	£ 1.28
12-11-4	COLLAR UNDER GEARBOX SPROCKET - 3/16"	£ 2.00	£ 1.70
12-2-4	WASHER FOR CAMPLATE DOWEL	£ 0.15	£ 0.13
12-2-5	COVER SCREW FIBRE WASHER	£ 0.25	£ 0.21
12-5-4	OIL LEVEL PLUG WASHER	£ 0.20	£ 0.17
12-7-5	CLUTCH NUT LOCKING WASHER	£ 1.25	£ 1.06
12-7-6	GEARBOX DRAIN PLUG WASHER	£ 0.25	£ 0.21
12-7-7	CLUTCH NUT PLAIN WASHER	£ 0.65	£ 0.55

PART NO	DESCRIPTION	PRICE + VAT	PRICE -VAT
14-2-1	CLUTCH SPRING STUD (4PLATE)	£ 2.30	£ 1.96
14-2-8	CLUTCH SPRING STUD (5PLATE)	£ 2.45	£ 2.09
16-1-5	SPLIT PIN FOR CAMPLATE DOWEL	£ 0.10	£ 0.09
17-3-2	5/16" DIA BALL	£ 0.10	£ 0.09
18-2-1	CLUTCH RACE ROLLER	£ 0.50	£ 0.43
19-7-3	KICKSTARTER RATCHET PINION BUSH	£ 4.50	£ 3.83
19-8-13	SLEEVE GEAR BUSH	£ 6.00	£ 5.11
19-8-14	LAYSHAFT 1ST GEAR BUSH	£ 7.05	£ 6.00
19-8-15	LAYSHAFT 2ND GEAR BUSH	£ 7.05	£ 6.00
19-8-15	MAINSHAFT 3RD GEAR BUSH	£ 7.05	£ 6.00
20-3-1	FOOTCHANGE SHAFT INNER BUSH	£ 4.20	£ 3.57
20-4-1	CAMSHAFT INNER BUSH	£ 4.70	£ 4.00
20-4-2	CAMSHAFT OUTER BUSH	£ 4.70	£ 4.00
20-7-2	KICKSTARTER SHAFT INNER BUSH	£ 5.90	£ 5.02
20-7-4	LAYSHAFT BUSH	£ 7.65	£ 6.51
20-7-5	LAYSHAFT BUSH	£ 7.65	£ 6.51
20-8-14	KICKSTARTER SHAFT OUTER BUSH	£ 7.05	£ 6.00
20-8-9	FOOTCHANGE SHAFT OUTER BUSH	£ 7.05	£ 6.00
21-10-1	OIL FILLER PLUG	£ 7.65	£ 6.51
21-10-3	INSPECTION PLUG	£ 4.70	£ 4.00
21-5-1	OIL LEVEL PLUG	£ 2.00	£ 1.70
21-7-5	GEARBOX DRAIN PLUG	£ 1.50	£ 1.28
25-7-3	CLUTCH ROD ADJUSTER SCREW	£ 4.15	£ 3.53
27-12-2	MAIN GEAR OIL SEAL	£ 4.40	£ 3.74
27-4-2	CAMSHAFT OIL SEAL	£ 0.80	£ 0.68
27-7-4	FOOTCHANGE SHAFT OIL SEAL	£ 1.00	£ 0.85
27-7-5	KICKSTARTER SHAFT OIL SEAL	£ 3.85	£ 3.28
28-12-16	GEARBOX SPROCKET SPACING COLLAR 0.435"	£ 4.00	£ 3.40
28-12-19	LOCATING PIECE - USE 28-12-45		
28-12-45	LOCATING PIECE BETWEEN KICKSTARTER CASE AND COVER	£ 6.00	£ 5.11
31-11-1	MAINSHAFT BEARING CIRCLIP (K/S END)	£ 1.50	£ 1.28
31-12-2	MAIN GEAR BEARING CIRCLIP	£ 2.50	£ 2.13
35-1-6	GEAR LEVER RUBBER PIN	£ 0.50	£ 0.43
35-3-1	SELECTOR FORK PEGS	£ 3.40	£ 2.89
35-3-4	CLUTCH OPERATING DOWEL	£ 3.85	£ 3.28
36-11-1	FOOTCHANGE SHAFT SPRING (FLAT ONE)	£ 8.00	£ 6.81
36-2-1	CAMSHAFT PLUNGER SPRING	£ 1.50	£ 1.28
36-2-3	SPRING FOR CAMPLATE DOWEL	£ 0.60	£ 0.51
36-4-1	SPRING UNDER GEAR INDICATOR	£ 1.00	£ 0.85
36-6-1	CLUTCH SPRING	£ 1.50	£ 1.28
36-8-1	KICKSTARTER RETURN SPRING	O/S	
36-8-2	KICKSTARTER RATCHET PINION SPRING	£ 1.50	£ 1.28
36-8-3	FOOTCHANGE SHAFT SPRING (ROUND ONE)	£ 1.50	£ 1.28
37-3-1	ROD FOR 5 PLATE CLUTCH	£ 4.70	£ 4.00
37-3-4	ROD FOR 4 PLATE CLUTCH	£ 4.70	£ 4.00
38-11-1	MAIN GEAR BALL BEARING	£ 35.00	£ 29.79
38-7-1	MAINSHAFT BALL BEARING (K/S END)	£ 7.50	£ 6.38
39-12-1	OIL SEAL HOUSING	£ 6.00	£ 5.29
B52-CSS	SCREW SET	£ 9.50	£ 8.09
G-12-2	MAINSHAFT 1ST GEAR 17T	£ 20.00	£ 17.02
G-20-1	KICKSTARTER RATCHET PINION	£ 25.00	£ 21.28
G-21-2	KICKSTARTER RATCHET	£ 22.00	£ 18.72
G-22-1	KICKSTARTER QUADRANT	£ 22.00	£ 18.72
G-23-1	KICKSTARTER SHAFT	£ 26.00	£ 22.13
G-24-2	FOOTCHANGE SHAFT	£ 25.00	£ 21.28
G-25-2	FOOTCHANGE SHAFT QUADRANT	£ 24.00	£ 20.43
G-31-1	GEARBOX SPROCKET 16 TEETH	£ 26.50	£ 22.55
G-31-1-18	GEARBOX SPROCKET 18 TEETH	£ 26.50	£ 22.55
G-32-2	CLUTCH OPERATING CAMPLATE (FIXED)	£ 8.00	£ 6.81
G-33-3	CLUTCH OPERATING CAMPLATE (MOVING)	£ 13.00	£ 11.06

PART NO	DESCRIPTION	PRICE + VAT	PRICE -VAT
G-35-2	SLEEVE FOR MAINSHAFT	£ 28.00	£ 23.83
G-37-3	CENTRE FOR 5 PLATE CLUTCH	£ 65.00	£ 55.32
G-38-2	PRESSURE PLATE	£ 18.00	£ 15.32
G-39-2	CLUTCH THICK STEEL PLATE	£ 10.00	£ 8.51
G-39-4	CLUTCH STEEL PLATE	£ 6.00	£ 5.11
G-40-12	CLUTCH FRICTION PLATE	£ 11.00	£ 9.36
G-42-1	CAMSHAFT PLUNGER	£ 4.25	£ 3.62
G-42-2	CLUTCH SPRING CUP	£ 3.60	£ 3.06
G-42-3	CAMSHAFT PLUNGER - USE G-42-1		
G-43-2	KICKSTARTER LEVER (INCLUDING PIN)		
G-44-7	GEAR LEVER	£ 29.50	£ 25.11
G-45-1	PEDAL PIN FOR KICKSTARTER	£ 9.00	£ 7.66
G-47-1	GEAR POSITION INDICATOR	£ 6.25	£ 5.32
G-48-1	GEAR LEVER RUBBER	£ 1.50	£ 1.28
G-5-3	INNER GASKET	£ 1.20	£ 1.02
G-5-4	OUTER GASKET	£ 1.20	£ 1.02
G-8-3	MAINSHAFT 3RD GEAR 23T FOR RACING	£ 35.00	£ 29.79

SECTION 6 : CARBURETTORS

COMPLETE CARBURETTORS

276B/1J	276 CARBURETTOR ASSEMBLY 1" BORE WITH 15 DEGREE FLOAT BOWL FOR 350 SINGLES 1940-1945	£ 165.00	£ 140.43
76AE/1AK	276 CARBURETTOR ASSEMBLY 1" BORE WITH 3 DEGREE FLOAT BOWL FOR 350 SINGLES 1951-1953	£ 165.00	£ 140.43
76D/1J	276 CARBURETTOR ASSEMBLY 1" BORE WITH 15 DEGREE FLOAT BOWL FOR 350 SINGLES 1946-1950	£ 165.00	£ 140.43
76AG/1AU	276 CARBURETTOR ASSEMBLY 1" BORE WITH FLOAT BOWL FOR 500 TWIN MODELS 1951-1953	£ 165.00	£ 140.43
376/1	376 MONOBLOC CARB COMPLETE, 1" BORE	£ 115.00	£ 97.87
376/1.1/16	376 MONOBLOC CARB COMPLETE, 1.1/16" BORE	£ 115.00	£ 97.87
376/1.1/8	376 MONOBLOC CARB COMPLETE, 1.1/8" BORE	£ 115.00	£ 97.87
376/1.3/16	376 MONOBLOC CARB COMPLETE, 1.3/16" BORE	£ 115.00	£ 97.87
376/1.5/32	376 MONOBLOC CARB COMPLETE, 1.5/32" BORE	£ 115.00	£ 97.87
389/118	389 MONOBLOC CARB COMPLETE, 1.1/8" BORE	£ 115.00	£ 97.87
626/MK1LH	CARB COMPLETE (26 MM BORE, LEFT HAND)	£ 78.00	£ 66.38
626/MK1RH	CARB COMPLETE (26 MM BORE, RIGHT HAND)	£ 78.00	£ 66.38
928/MK1LH	CARB COMPLETE (28 MM BORE, LEFT HAND)	£ 78.00	£ 66.38
928/MK1RH	CARB COMPLETE (28 MM BORE, RIGHT HAND)	£ 78.00	£ 66.38
930/MK1LH	CARB COMPLETE (30 MM BORE, LEFT HAND)	£ 78.00	£ 66.38
930/MK1RH	CARB COMPLETE (30 MM BORE, RIGHT HAND)	£ 78.00	£ 66.38
932/MK1LH	CARB COMPLETE (32 MM BORE, LEFT HAND)	£ 78.00	£ 66.38
932/MK1RH	CARB COMPLETE (32 MM BORE, RIGHT HAND)	£ 78.00	£ 66.38

CARBURETTOR SPARES

0/100	WASHER SET FOR 275/75 CARBURETTORS	£ 1.80	£ 1.53
0/200	WASHER SET FOR 276/76/289/29 CARBURETTORS	£ 1.80	£ 1.53
376/WAS	WASHER SET FOR 376 CARBURETTORS	£ 1.75	£ 1.49
389/WAS	WASHER SET FOR 389 CARBURETTORS	£ 1.75	£ 1.49
13/129	PILOT AIR ADJUSTER SCREW	£ 2.00	£ 1.70
13/153	PLUG SCREW (BODY ARM)	£ 1.00	£ 0.85
14/015	FLOAT COMPLETE	O/S	
14/021	COVER LOCK SCREW	£ 1.50	£ 1.28
14/024	FLOAT NEEDLE VALVE	£ 6.00	£ 5.11
14/039	WASHER FOR PLUG SCREW	£ 0.10	£ 0.09
14/208	COVER COMPLETE	£ 14.00	£ 11.91
14/301	TICKLER COMPLETE	£ 3.50	£ 2.98

PART NO	DESCRIPTION	PRICE + VAT	PRICE -VAT
14/352	FLOAT CHAMBER BANJO	£ 3.75	£ 3.19
15-5246	THROTTLE STOP SCREW	£ 4.25	£ 3.62
16/010	LOCKNUT	£ 0.50	£ 0.43
229/048	BELLMOUTH - PLASTIC	£ 1.80	£ 1.53
29/041	MIXING CHAMBER RING	£ 6.00	£ 5.11
29/057	AIR VALVE GUIDE	£ 3.00	£ 2.55
30/080	AIR FILTER CLIP	£ 4.00	£ 3.40
343/011	TICKLER BODY	£ 1.75	£ 1.49
375/057	JET BLOCK - 25/32"	£ 10.50	£ 8.94
375/059	JET BLOCK - 7/8"	£ 10.50	£ 8.94
375/061	THROTTLE SPRING	£ 1.50	£ 1.28
375/063	THROTTLE NEDLE	£ 4.70	£ 4.00
375/079	THROTTLE SPRING	£ 1.50	£ 1.28
376/055	JET BLOCK - 15/16"	£ 10.50	£ 8.94
376/056	JET BLOCK - 1"	£ 10.50	£ 8.94
376/060/3	376 THROTTLE SLIDE - 3 CUTAWAY	£ 17.00	£ 14.47
376/060/3.5	376 THROTTLE SLIDE - 3.5 CUTAWAY	£ 17.00	£ 14.47
376/060/4	376 THROTTLE SLIDE - 4 CUTAWAY	£ 17.00	£ 14.47
376/060/5	376 THROTTLE SLIDE - 5 CUTAWAY	£ 17.00	£ 14.47
376/061	THROTTLE VALVE SPRING	£ 1.50	£ 1.28
376/062	air valve 376	£ 8.00	£ 6.81
376/063	TAPER NEEDLE	£ 4.70	£ 4.00
376/066A	600 SERIES BELLMOUTH (ALLOY)	£ 4.70	£ 4.00
376/066PB	600 SERIES BELLMOUTH (BLACK PLASTIC)	£ 2.20	£ 1.87
376/069	THROTTLE STOP SCREW SPRING	£ 0.50	£ 0.43
376/072/105	NEEDLE JET - .105	£ 4.25	£ 3.62
376/072/106	NEEDLE JET - .106	£ 4.25	£ 3.62
376/072/107	NEEDLE JET - .107	£ 4.25	£ 3.62
376/073	MAIN JET HOLDER	£ 3.50	£ 2.98
376/075	MAIN JET COVER	£ 1.85	£ 1.57
376/076 - 20	PILOT JET (SIZE 20)	£ 3.25	£ 2.77
376/076 - 25	PILOT JET (SIZE 25)	£ 3.25	£ 2.77
376/076 - 30	PILOT JET (SIZE 30)	£ 3.25	£ 2.77
376/079	FLOAT CHAMBER COVER SCREW	£ 0.80	£ 0.68
376/085	FLOAT SPINDLE	£ 0.50	£ 0.43
376/089	USE 622/197		
376/093	FUEL FILTER	£ 1.50	£ 1.28
376/094	FLOAT SPINDLE BUSH	£ 0.50	£ 0.43
376/097	BANJO -SINGLE,PLASTIC	£ 3.25	£ 2.77
376/099	MIXING CHAMBER TOP CAP - NO ADJUSTERS	£ 4.00	£ 3.40
376/100	MAIN JET (STATE SIZE)	£ 2.50	£ 2.13
376/127	TICKLER - LONG	£ 1.00	£ 0.85
376/127	BANJO	£ 3.00	£ 2.55
376/419	BANJO 180 DEGREE DOUBLE	£ 4.25	£ 3.62
389/060/2	389 THROTTLE SLIDE (2 CUTAWAY)	£ 20.00	£ 17.02
389/060/2.5	389 THROTTLE SLIDE (2.5 CUTAWAY)	£ 14.00	£ 11.91
389/060/3	389 THROTTLE SLIDE (3 CUTAWAY)	£ 14.00	£ 11.91
389/060/3.5	389 THROTTLE SLIDE (3.5 CUTAWAY)	£ 14.00	£ 11.91
389/060/4	389 THROTTLE SLIDE (4 CUTAWAY)	£ 14.00	£ 11.91
389/060/4.5	389 THROTTLE SLIDE (4.5 CUTAWAY)	£ 14.00	£ 11.91
389/061	THROTTLE VALVE SPRING	£ 1.50	£ 1.28
389/063	389 NEEDLE	£ 4.70	£ 4.00
389/066	389 ALLOY BELLMOUTH	£ 4.70	£ 4.00
389/099	MIXING CHAMBER TOP CAP - NO ADJUSTERS	£ 4.70	£ 4.00
4/031	MIXING CHAMBER TOP RING	£ 6.00	£ 5.11
4/032	MIXING CHAMBER TOP CAP	£ 8.00	£ 6.81
4/035	CABLE ADJUSTER	£ 1.40	£ 1.19
4/038	AIR INTAKE TUBE	£ 4.70	£ 4.00
4/042	MAIN JET (STATE SIZE)	£ 2.35	£ 2.00
4/043	HOLDING BOLT FOR FLOAT CHAMBER	O/S	

PART NO	DESCRIPTION	PRICE + VAT	PRICE -VAT
4/046	AIR VALVE SPRING	£ 1.50	£ 1.28
4/048	BOLT	£ 1.20	£ 1.02
4/052-3	THROTTLE SLIDE - 3 CUTAWAY	£ 9.00	£ 7.66
4/052-4	THROTTLE SLIDE - 4 CUTAWAY	£ 9.00	£ 7.66
4/052-5	THROTTLE SLIDE - 5 CUTAWAY	£ 9.00	£ 7.66
4/053	FLOAT CHAMBER BOLT WASHER	£ 0.10	£ 0.09
4/060	THROTTLE VALVE COTTER PIN	£ 0.25	£ 0.21
4/061	NEEDLE JET	£ 6.50	£ 5.53
4/062	UNION NUT FOR MIXING CHAMBER	£ 12.00	£ 10.21
4/063	THROTTLE STOP SCREW	£ 2.00	£ 1.70
4/065	THROTTLE NEEDLE	£ 6.00	£ 5.11
4/137	PLUG FOR TOP CAP	£ 1.00	£ 0.85
4/148	PILOT AIR ADJUSTING SCREW SPRING	£ 0.60	£ 0.51
4/230	NEEDLE CLIP	£ 1.25	£ 1.06
4/235	FIXING SPRING FOR CAP	£ 2.00	£ 1.70
4/241	SCREW FOR FIXING SPRING FOR CAP	£ 0.50	£ 0.43
4/263	THROTTLE VALVE SPRING	£ 1.50	£ 1.28
5/045	AIR VALVE	£ 5.50	£ 4.68
5/047	AIR VALVE GUIDE TUBE	£ 3.00	£ 2.55
5/052	THROTTLE SLIDE (5 CUTAWAY)	£ 10.00	£ 8.51
5/065	TAPER NEEDLE	£ 6.00	£ 5.11
5/077	CABLE ADJUSTER LOCKNUT	£ 0.60	£ 0.51
6/031	MIXING CHAMBER CAP RING	£ 6.00	£ 5.11
6/032	MIXING CHAMBER TOP	£ 8.00	£ 6.81
6/033	MIXING CHAMBER UNION NUT	£ 12.00	£ 10.21
6/038	AIR INTAKE TUBE	£ 4.70	£ 4.00
6/045	AIR VALVE	£ 5.50	£ 4.68
6/047	AIR VALVE GUIDE	£ 3.00	£ 2.55
6/052	THROTTLE VALVE	O/S	
6/065	TAPER NEEDLE	£ 6.00	£ 5.11
622/056	FLOAT BOWL	£ 20.00	£ 17.02
622/060	THROTTLE SLIDE 600 SERIES (STATE CUTAWAY)	£ 9.00	£ 7.66
622/062	CHOKE VALVE 600 SERIES	£ 4.00	£ 3.40
622/064	TOP CAP WITH 2 ADJUSTERS 600SERIES	£ 4.00	£ 3.40
622/067	NEEDLE CLIP	£ 1.00	£ 0.85
622/069	FLOAT	£ 7.05	£ 6.00
622/071	FLOAT SPINDLE	£ 0.75	£ 0.64
622/073	FLOAT CHAMBER GASKET	£ 0.75	£ 0.64
622/074	SPRAY TUBE	£ 1.65	£ 1.40
622/076	PILOT AIR SCREW	£ 1.00	£ 0.85
622/077	THROTTLE STOP SCREW	£ 1.00	£ 0.85
622/078	BANJO BOLT	£ 1.65	£ 1.40
622/079	NEEDLE JET - 2 STROKE	£ 3.55	£ 3.02
622/082	PILOT/IDLE SCREW O'RING	£ 0.85	£ 0.72
622/086	FLOAT BOWL /TOP CAP SCREW	£ 0.50	£ 0.43
622/098	TOP CAP FOR 2 FERRULES 600 SERIES	£ 4.00	£ 3.40
622/101	FLANGE O'RING	£ 1.10	£ 0.94
622/104	JET KEY	£ 2.35	£ 2.00
622/122	NEEDLE JET 4 STROKE (STATE SIZE)	£ 4.00	£ 3.40
622/124	NEEDLE (2 I.D. GROOVES)	£ 3.00	£ 2.55
622/128	JET HOLDER	£ 3.35	£ 2.85
622/129	CHOKE SLIDE SPRING	£ 1.00	£ 0.85
622/131	THROTTLE SLIDE SPRING	£ 1.40	£ 1.19
622/134	CHOKE VALVE GUIDE 600 SERIES	£ 1.10	£ 0.94
622/147	DRAIN PLUG	£ 1.10	£ 0.94
622/151	DRAIN PLUG WASHER	£ 0.60	£ 0.51
622/171	HEX HEAD TOP CAP/FLOAT BOWL SCREW	£ 2.35	£ 2.00
622/172	TICKLER ASSEMBLY	£ 2.35	£ 2.00
622/197	VITON TIPPED FLOAT NEEDLE	£ 2.85	£ 2.43
622/208	COMPLETE GASKET SET	£ 3.50	£ 2.98

PART NO	DESCRIPTION	PRICE + VAT	PRICE -VAT
64/156	FLOAT CHAMBER - BARE	£ 20.00	£ 17.02
64/186	FLOAT CHAMBER BODY ONLY	£ 20.00	£ 17.02
64/187	FLOAT CHAMBER - BARE	£ 20.00	£ 17.02
65/154	FLOAT CHAMBER - BARE	£ 20.00	£ 17.02
928/060	THROTTLE SLIDE 900 SERIES (STATE CUTAWAY)	£ 10.00	£ 8.51
928/062	CHOKE VALVE 900 SERIES	£ 3.85	£ 3.28
928/063	NEEDLE - 3ID GROOVES	£ 3.00	£ 2.55
928/064	TOP CAP WITH 2 ADJUSTERS 900 SERIES	£ 4.00	£ 3.40
928/066	900 SERIES BELLMOUTH,PLASTIC	£ 2.10	£ 1.79
928/097	TOP CAP WITH 1 ADJUSTER 900 SERIES	£ 4.00	£ 3.40
928/098	TOP CAP FOR 2 FERRULES 900 SERIES	£ 4.00	£ 3.40
928/103	CHOKE VALVE GUIDE 900 SERIES	£ 1.10	£ 0.94
928/104	NEEDLE (4 I.D. GROOVES)	£ 3.50	£ 2.98
928/107	SPRAY TUBE	£ 1.80	£ 1.53

SECTION 7 : CHAINS

HEAVYWEIGHT PRIMARY CHAIN (RENOLDS)

01.7381	65 LINK PRIMARY CHAIN	£ 24.50	£ 20.85
01.7298	66 LINK PRIMARY CHAIN	£ 24.50	£ 20.85
01.7299	67 LINK PRIMARY CHAIN	£ 24.50	£ 20.85
02.2870	68 LINK PRIMARY CHAIN	£ 24.50	£ 20.85
02.5389	69 LINK PRIMARY CHAIN	£ 24.50	£ 20.85
110-046-26	PRIMARY CHAIN CONNECTING LINK	£ 2.75	£ 2.34
110-046-30	PRIMARY CHAIN CRANKED LINK	£ 3.50	£ 2.98

HEAVYWEIGHT REAR CHAIN (RENOLDS)

01.7380	90 LINK REAR CHAIN	£ 50.00	£ 42.55
01.7300	91 LINK REAR CHAIN	£ 50.00	£ 42.55
01.7301	94 LINK REAR CHAIN	£ 50.00	£ 42.55
01.7375	96 LINK REAR CHAIN	£ 50.00	£ 42.55
02.2876	97 LINK REAR CHAIN	£ 50.00	£ 42.55
01.7376	98 LINK REAR CHAIN	£ 50.00	£ 42.55
110-056-26	REAR CHAIN CONNECTING LINK	£ 3.80	£ 3.23
110-056-30	REAR CHAIN CRANKED LINK	£ 3.80	£ 3.23

LIGHTWEIGHT PRIMARY CHAIN (RENOLDS)

04.2722	55 LINK PRIMARY CHAIN (FOR 250 SCRAMBLER)	£ 24.50	£ 20.85
04.4059	72 LINK PRIMARY CHAIN (DUPLEX)	£ 25.00	£ 21.28
04.2184	73 LINK PRIMARY CHAIN (SINGLE ROW)	£ 19.00	£ 16.87
110-038-26	PRIMARY CHAIN CONNECTING LINK (SINGLE ROW)	£ 2.20	£ 1.87
110-038-30	PRIMARY CHAIN CRANKED LINK (SINGLE ROW)	£ 3.00	£ 2.55
110-044-26	PRIMARY CHAIN CONNECTING LINK (FOR 250 SCRAMBLER)	£ 2.50	£ 2.13
110-044-30	PRIMARY CHAIN CRANKED LINK (FOR 250 SCRAMBLER)	£ 3.00	£ 2.55
114-038-26	PRIMARY CHAIN CONNECTING LINK (DUPLEX)	£ 3.00	£ 2.55
114-038-30	PRIMARY CHAIN CRANKED LINK (DUPLEX)	£ 3.50	£ 2.98

LIGHTWEIGHT REAR CHAIN (RENOLDS)

04.4046	123 LINK REAR CHAIN	£ 44.50	£ 37.87
04.2194	125 LINK REAR CHAIN	£ 44.50	£ 37.87
04.2742	131 LINK REAR CHAIN	£ 44.50	£ 37.87
110-046-26	REAR CHAIN CONNECTING LINK	£ 2.75	£ 2.34
110-046-30	REAR CHAIN CRANKED LINK	£ 3.50	£ 2.98

PART NO	DESCRIPTION	PRICE + VAT	PRICE -VAT
<u>HEAVYWEIGHT MAGNETO & DYNAMO CHAIN (RENOLDS)</u>			
01.7294	46 LINK MAGNETO CHAIN	£ 12.00	£ 10.21
01.7295	47 LINK DYNAMO CHAIN	£ 12.00	£ 10.21
01.7296	49 LINK DYNAMO CHAIN - USE 02.3459		
02.3459	50 LINK DYNAMO CHAIN	£ 13.50	£ 11.49
01.7297	58 LINK MAGNETO CHAIN	£ 13.50	£ 11.49
110-038-26	CONNECTING LINK FOR MAGNETO & DYNAMO CHAIN	£ 2.20	£ 1.87
110-038-30	CRANKED LINK FOR MAGNETO & DYNAMO CHAIN	£ 3.00	£ 2.55

CHAIN KITS (RENOLDS)

110-046K	110-046 / 1/2"-5/16" CHAIN KITS IN TIN BOX FOR TOOLKITS. COMPRISES 2 SPRING LINKS, 1/2 LINK, LINK AND SPRING CLIPS	£ 8.00	£ 6.81
----------	---	--------	--------

SECTION 8: ELECTRICAL

88SA-IGN	88SA IGNITION SWITCH	£ 28.00	£ 23.83
88SA-LIG	88SA LIGHTING SWITCH	£ 28.00	£ 23.83
02.2031	USE 54033234		
04.3147	250/350 LIGHTWEIGHT LIGHTING SWITCH	£ 17.50	£ 14.89
04.3148	250/350 LIGHTWEIGHT IGNITION SWITCH	£ 17.50	£ 14.89
31443	LIGHTING AND IGNITION SWITCH COMBINED INCLUDING KNOB AND KEY	£ 75.00	£ 63.83
36084	GENUINE LUCAS AMMETER 0-8 AMPS	£ 22.00	£ 18.72
36403	GENUINE LUCAS AMMETER 0-12 AMPS	£ 22.00	£ 18.72
171284	MAGNETO PINION NUT	£ 0.25	£ 0.21
188818	SPLIT BULLET FOR DYNAMO & REGULATOR	£ 0.20	£ 0.17
189210	DYNAMO BEARING FOR E3L & E3N DYNAMOS (COMMUTATOR END)	£ 4.75	£ 4.04
189244	MAGNETO BEARING FOR K2F MAGNETOS (DRIVE END)	£ 15.00	£ 12.77
189284	DYNAMO BEARING FOR E3AR DYNAMOS (COMMUTATOR END)	£ 15.00	£ 12.77
189289	DYNAMO BEARING FOR E3AR DYNAMOS (DRIVE END), AND SR1 MAGNETOS (POINTS END)	£ 15.00	£ 12.77
189291	MAGNETO BEARING FOR N1 MAGNETOS (POINTS END & DRIVE END), SR1 MAGNETOS (DRIVE END) & K2F MAGNETOS (POINTS END)	£ 15.00	£ 12.77
189307	DYNAMO BEARING FOR E3L & E3N DYNAMOS (DRIVE END)	£ 6.00	£ 5.11
200290	DYNAMO BRUSH SET FOR SINGLES UPTO 1950	£ 4.70	£ 4.00
200737	DYNAMOBRUSH SET FOR 1951 ON SINGLES AND ALL TWINS	£ 4.70	£ 4.00
200826	DYNAMO END COVER	£ 8.00	£ 6.81
351551	MAIN HEADLAMP SWITCH (PATTERN OF ORIGINAL TYPE)	£ 22.00	£ 18.72
35351	IGNITION SWITCH	£ 14.50	£ 12.34
410600	MAGNETO PICK UP NUT	£ 0.45	£ 0.38
420196	CONTACT SET FOR HEAVYWEIGHT COIL IGNITION MODELS 1958-1963	£ 10.00	£ 8.51
425219	CONTACT SET FOR TWIN DISTRIBUTORS	£ 10.00	£ 8.51
451260	PICKUP BRUSH & SPRING	£ 1.50	£ 1.28
451323	EARTH BRUSH & SPRING	£ 1.50	£ 1.28
451379	PAPER INSULATOR FOR BEARING - 189291	£ 0.75	£ 0.64
454496	MAGNETO SLIP RING	£ 18.00	£ 15.32
455190	EARTH BRUSH FOR N1 & K2F MAGNETOS	£ 1.50	£ 1.28
456794	PICK UP ASSEMBLY FOR N1 MAGNETOS (VERTICAL TYPE)	£ 10.00	£ 8.51
458019	SR1 MAGNETO END COVER	£ 18.50	£ 15.74
458053	CONTACT SET FOR SR1 MAGNETOS	£ 10.00	£ 8.51
458876	PICK UP FOR K2F MAGNETOS (TYPE HELD ON WITH 2 SCREWS)	£ 12.00	£ 10.21
459002	OIL SEAL FOR K2F MAGNETO	£ 3.75	£ 3.19
459005	PAPER INSULATOR FOR BEARING -189294	£ 0.75	£ 0.64
459190	PICK UPFOR K2F MAGNETO (UNIVERSAL - FITS LEFT & RIGHT, CLIP ON TYPE	£ 12.00	£ 10.21

PART NO	DESCRIPTION	PRICE + VAT	PRICE -VAT
460061	MAGNETO POINTS COVER	£ 4.50	£ 3.83
463088	PICK UP FOR N1 MAGNETO (NORMAL TYPE)	£ 12.00	£ 10.21
463113	MAGNETO FIBRE GEAR LOCK WASHER	£ 0.71	£ 0.60
463932	PAPER INSULATOR FOR BEARING	£ 0.75	£ 0.64
470609	CONTACT SET FOR K2F & NR1 MAGNETOS (TYPE WITH BRASS BACK PLATE)	£ 10.00	£ 8.51
47204	RM19 6 VOLT STATOR	£ 58.00	£ 49.36
47205	RM21 12 VOLT STATOR	£ 55.00	£ 46.81
484098	CONTACT SET FOR N1 MAGNETOS	£ 5.00	£ 4.26
49072	SOLID STATE RECTIFIER 6 & 12 VOLT	£ 8.75	£ 7.45
49345	ZENER DIODE	£ 22.00	£ 18.72
54033234	STOP LIGHT SWITCH - PATTERN	£ 15.00	£ 12.77
54202299	ROTOR FOR RM19 & RM21 ALTERNATORS	£72.00	£ 61.28

NOTE: ALL ROTORS AND STATORS MADE ARE TO THE LATER TYPE WITH A ROTOR DIAMETER OF 75MM, AND ARE NOT INTERCHANGEABLE WITH THE EARLIER TYPE

54415803	CONTACT SET FOR HEAVYWEIGHT COIL IGNITION MODELS 1964 ON	£ 10.00	£ 8.51
54440888	CONTACT SET FOR K2F & NR1 MAGNETOS (TYPE WITH TIN BACK PLATE)	£ 10.00	£ 8.51
B38-6	6 VOLT BATTERY - SIZE 119mm - 83mm - 161mm	£ 18.00	£ 15.32
B39-6	6 VOLT BATTERY - SIZE 126mm - 48mm - 126mm	£ 14.00	£ 11.91
BAT-BR	BLACK RUBBER CASED 6 VOLT BATTERY	£ 45.00	£ 38.30
BUL-100	HEADLAMP PILOT BULB - 6 VOLT - 3 WATT (BA9)	£ 0.50	£ 0.43
BUL-200	PILOT BULB - 12VOLT - 4 WATT (BA9)	£ 0.50	£ 0.43
BUL-300	HEADLAMP MAIN BULB - 6 VOLT PREFOCUS	£ 3.50	£ 2.98
BUL-400	HEADLAMP MAIN BULB - 12VOLT PREFOCUS	£ 3.50	£ 2.98
BUL-500	STOP & TAIL LAMP BULB - 6 VOLT - 18/6 WATT	£ 0.80	£ 0.68
BUL-600	STOP & TAIL LAMP BULB - 12 VOLT - 21/5 WATT	£ 0.80	£ 0.68
BUL-700	SPEEDOMETER BULB - 6 VOLT - 2 WATT (BA9)	£ 0.50	£ 0.43
BUL-800	SPEEDOMETER BULB - 12 VOLT - 2 WATT (BA9)	£ 0.50	£ 0.43
BUL-900	STOP & TAIL LAMP BULB - 6 VOLT - 21/5 WATT	£ 0.80	£ 0.68
DLB159	6 VOLT IGNITION COIL	£ 19.50	£ 16.60
DLB160	12 VOLT IGNITION COIL	£ 19.50	£ 16.60
HL-RC	HEADLAMP RIM CLIPS	£ 0.35	£ 0.30
HLG-7IN/G	GENUINE LUCAS HEADLAMP GLASS AND REFLECTOR- 7" TYPE	£ 22.33	£ 19.00
HLG-7IN/P	PATTERN HEADLAMP GLASS AND REFLECTOR- 7" TYPE	£ 21.00	£ 17.87
HLG-WD	FLAT GLASS FOR 6.1/2" WD TYPE HEADLAMPS	£ 4.70	£ 4.00
HLR-6IN/PF	PATTERN HEADLAMP RIM - 6" TYPE FOR FLAT GLASS	£ 4.99	£ 4.25
HLR-7IN/G	GENUINE LUCAS HEADLAMP RIM - 7" TYPE	£ 10.00	£ 8.51
HOR-12V	12 VOLT HORN - SMALL TYPE 2.1/2" DIA	£ 7.00	£ 5.96
HOR-6V	6 VOLT HORN - SMALL TYPE, 2.1/2" DIA	£ 7.00	£ 5.96
PL-BLA	BLACK COPPER CORE PLUG LEAD (PER FOOT)	£ 0.65	£ 0.55
PL-NGK	SPARKING PLUG (STATE MODEL & YEAR)	£ 2.50	£ 2.13
PL-RED	RED COPPER CORE PLUG LEAD (PER FOOT)	£ 0.65	£ 0.55
RL-564	PATTERN 564 REAR LAMP	£ 9.00	£ 7.66
RPC	RUBBER SPARKING PLUG CAP	£ 1.75	£ 1.49
S3908	CONTACT SET FOR 250/350 L/W MODELS	£ 19.00	£ 16.17
SSW-FB	IN LINE STOP SWITCH (FITS IN FRONT BRAKE CABLE)	£ 3.53	£ 3.00
SSW-UNI	UNIVERSAL CLAMP ON STOP SWITCH	£ 9.00	£ 7.66
SW-DIP	PATTERN HEADLAMP DIPPER SWITCH	£ 7.50	£ 6.38
SW-H&D	PATTERN COMBINED HORN & DIPPER SWITCH	£ 9.50	£ 8.09
SW-HOR	PATTERN HORN PUSH BUTTON	£ 6.00	£ 5.11
HL-WDC	GENUINE NEW WD 6.1/2" HEADLAMP ASSEMBLIES (WITH DOMED GLASS) LIMITED STOCKS	£ 185.00	£ 157.45

PART NO DESCRIPTION

PRICE
+ VATPRICE
-VAT**SECTION 9 : GASKET SETS****HEAVYWEIGHT SINGLE ENGINE GASKET SETS**

GAS-100	ENGINE GASKET SET FOR 350 SINGLES 1939-1948	£ 15.00	£ 12.77
GAS-150	ENGINE GASKET SET FOR 500 SINGLES 1939-48	£ 18.00	£ 15.32
GAS-200	ENGINE GASKET SET FOR ALL 350 SINGLE MODELS FROM 1949-1961 & 500 SINGLE MODELS FROM 1949-1963 (EXCEPT 350 & 500 SINGLE CS SCRAMBLER MODELS FROM 1956 ON)	£ 15.00	£ 12.77
GAS-250	ENGINE GASKET SET FOR 350 SINGLES 1962 ON & 500 SINGLES 1964 ON AND 350 & 500 SINGLE CS SCRAMBLER MODELS FROM 1956	£ 12.00	£ 10.21

TWIN ENGINE GASKET SETS

GAS-300	ENGINE GASKET SET FOR ALL TWINS UPTO 1952	£ 17.50	£ 14.89
GAS-350	ENGINE GASKET SET FOR ALL TWINS 1953-1955	£ 17.50	£ 14.89
GAS-400	ENGINE GASKET SET FOR ALL TWINS 1956-1959	£ 17.50	£ 14.89
GAS-450	ENGINE GASKET SET FOR ALL TWINS 1960-1963	£ 17.50	£ 14.89
GAS-500	ENGINE GASKET SET FOR ALL TWINS 1964 ON	£ 17.50	£ 14.89

LIGHTWEIGHT ENGINE GASKET SETS

GAS-550	ENGINE GASKET SET FOR ALL LIGHTWEIGHT MODELS (INCLUDES GEARBOX & CHAINCASE GASKETS)	£ 15.00	£ 12.77
---------	---	---------	---------

SECTION 10: HANDLEBARS, LEVERS, CABLES**HANDLEBARS AND GRIPS**

02.2484	STANDARD TOURING HANDLEBAR FOR MACHINES UPTO 1964	£ 17.50	£ 14.89
03.0408	STANDARD TOURING HANDLEBAR FOR 1964 ON MACHINES WITH NORTON FORKS	£ 17.50	£ 14.89
HG-GT	GRAN TOURISMO HANDLEBAR GRIPS (PAIR)	£ 6.50	£ 5.53
HG-SG	HANDLEBAR GRIPS - RIBBED TYPE	£ 4.50	£ 3.83
HG-WD	HANDLEBAR GRIPS - ORIGINAL TYPE	£ 4.00	£ 3.40

CONTROL LEVERS

100 LH	MAGNETO LEVER	£ 14.00	£ 11.91
100 RH	AIR LEVER	£ 14.00	£ 11.91
105	VALVE LIFTER LEVER	£ 20.00	£ 17.02
107P LH	CLUTCH LEVER (PLAIN LEVER, NO ADJUSTER)	£ 18.50	£ 15.74
107P RH	BRAKE LEVER (PLAIN LEVER, NO ADJUSTER)	£ 18.50	£ 15.74
71	TWIST GRIP	£ 15.00	£ 12.77

CONTROL CABLES

AC-100	AIR CABLE FOR AMALCARBURETTOR TYPES 275,75,276,76,289, 89,376,389,600,900 WITH CABLE ADJUSTER IN THE TOP OF CARBURETTOR.	£ 4.50	£ 3.83
AC-200	AIR CABLE FOR AMALCARBURETTOR TYPES 275,75,276,76,376 ,600 WITH A MID CABLE ADJUSTER	£ 5.50	£ 4.68
AC-300	AIR CABLE FOR AMALCARBURETTOR TYPES 389,900 WITH A MID CABLE ADJUSTER	£ 5.50	£ 4.68

PART NO	DESCRIPTION	PRICE + VAT	PRICE -VAT
TC-100	THROTTLE CABLE FOR AMALCARBURETTOR TYPES 275,75,276,76,289,89,376,389 WITH CABLE ADJUSTER IN THE TOP OF CARBURETTOR	£ 4.50	£ 3.83
TC-200	THROTTLE CABLE FOR AMALCARBURETTOR TYPES 275,75,276,76,289,89,376,389 WITH MID CABLE ADJUSTER, AND NO ADJUSTER IN THE TOP OF CARBURETTOR	£ 5.50	£ 4.68
TC-300	THROTTLE CABLE FOR AMALCARBURETTOR TYPES 600 CONCENTRIC WITH CABLE ADJUSTER IN THE TOP OF CARBURETTOR	£ 4.50	£ 3.83
TC-400	THROTTLE CABLE FOR AMALCARBURETTOR TYPES 600 CONCENTRIC WITH MID CABLE ADJUSTER, AND NO ADJUSTER IN THE TOP OF CARBURETTOR	£ 5.50	£ 4.68
TC-500	THROTTLE CABLE FOR AMALCARBURETTOR TYPES 900 CONCENTRIC WITH CABLE ADJUSTER IN THE TOP OF CARBURETTOR	£ 4.50	£ 3.83
TC-600	THROTTLE CABLE FOR AMALCARBURETTOR TYPES 900 CONCENTRIC WITH MID CABLE ADJUSTER, AND NO ADJUSTER IN THE TOP OF CARBURETTOR	£ 5.50	£ 4.68
EX-100	EXHAUST VALVE LIFTER CABLE FOR EARLY MODELS WITH VALVE LIFTER IN CRANKCASE	£ 6.00	£ 5.11
EX-200	EXHAUST VALVE LIFTER CABLE FOR MODELS WITH VALVE LIFTER IN ROCKERBOX	£ 6.00	£ 5.11
BR-100	FRONT BRAKE CABLE FOR EARLY MODELS AND COMP MODELS WITH 5.1/2" BRAKE	£ 10.00	£ 8.51
BR-200	FRONT BRAKE CABLE FOR 1948-1955 HEAVYWEIGHT MODELS	£ 10.00	£ 8.51
BR-300	FRONT BRAKE CABLE FOR 1955 ON HEAVYWEIGHT MODELS	£ 10.00	£ 8.51
BR-400	FRONT BRAKE CABLE FOR 1964 ON MODELS WITH NORTON FORKS	£ 10.00	£ 8.51
BR-500	FRONT BRAKE CABLE FOR 250 LIGHTWEIGHT MODELS WITH TIN TYPE FORKS	£ 10.00	£ 8.51
BR-600	FRONT BRAKE CABLE FOR 250 CSR LIGHTWEIGHT MODELS WITH HEAVYWEIGHT FORKS	£ 10.00	£ 8.51
BR-700	FRONT BRAKE CABLE FOR 350 LIGHTWEIGHT MODELS WITH HEAVYWEIGHT FORKS	£ 10.00	£ 8.51
CL-100	CLUTCH CABLE FOR HEAVYWEIGHT MODELS WITH BURMAN CP TYPE GEARBOXES	£ 9.00	£ 7.66
CL-200	CLUTCH CABLE FOR HEAVYWEIGHT MODELS WITH BURMAN B52 TYPE GEARBOXES	£ 9.00	£ 7.66
CL-300	CLUTCH CABLE FOR HEAVYWEIGHT MODELS WITH AMC/NORTON TYPE GEARBOXES	£ 9.00	£ 7.66
CL-400	CLUTCH CABLE FOR LIGHTWEIGHT MODELS	£ 9.00	£ 7.66

PART NO	DESCRIPTION	PRICE + VAT	PRICE -VAT
MG-100	MAGNETO CABLE FOR MODELS WITH REAR MOUNTED MAGNETO (ALL TWINS AND MATCHLESS SINGLES UPTO 1952)	£ 10.00	£ 8.51
MG-200	MAGNETO CABLE FOR MODELS WITH FRONT MOUNTED MAGNETO	£ 10.00	£ 8.51
SPN	SPLIT NIPPLE FOR CLUTCH & BRAKE CABLES	£ 1.00	£ 0.85
TGS-14	TWIST GRIP STOP (1/4" DIA)	£ 1.00	£ 0.85
TGS-516	TWIST GRIP STOP (5/16" DIA)	£ 1.00	£ 0.85

SECTION 11: NORTON FORKS FITTED 1964 ONWARDS

	06.7092	FORK BUSH AND SEAL SET	£25.00	£21.28
	06.5483	FRONT FORK OIL SEAL	£ 3.70	£ 3.15
	06.7520	FRONT FORK OIL SEAL PAPER WASHER	£ 0.25	£ 0.21
	06.7650	WASHER FOR TOP YOKE LOCK NUT	£ 0.35	£ 0.30
	06.7727	HANDLEBAR CLAMP	£ 9.25	£ 7.87
	06.7745	SOCKET SCREW	£ 0.40	£ 0.34
	30205	STEERING RACE TAPER BEARING	£ 14.00	£ 11.91
1	03.0036	FORK MAIN TUBE	£ 35.00	£ 29.79
2	06.7521	FRONT FORK TOP BUSH	£ 4.00	£ 3.40
3	06.7519	FRONT FORK BOTTOM BUSH	£ 5.60	£ 4.77
4	06.7636	MAIN TUBE BOTTOM BUSH CIRCLIP	£ 0.20	£ 0.17
5	03.0031	LEFT HAND FORK SLIDER	POA	
6	03.0030	RIGHT HAND FORK SLIDER	POA	
7	00.0485	SCREW 1/4"-1/4 26 TPI	£ 1.25	£ 1.06
8	00.0203	FIBRE WASHER,1/4"	£ 0.20	£ 0.17
9	03.0037	DAMPER TUBE	N/A	
10	06.7657	DAMPER ROD - CYCLE THREAD	£ 5.42	£ 4.61
11	06.7635	DAMPER TUBE BOLT	£ 0.45	£ 0.38
12	06.7517	DAMPER TUBE BOLT WASHER	£ 0.60	£ 0.51
13	06.7514	DAMPER TUBE FIBRE WASHER	£ 0.40	£ 0.34
14	06.7590	DAMPER ROD NUT	£ 0.25	£ 0.21
15	06.7592	DAMPER ROD NUT	£ 0.25	£ 0.21
16	06.7641	DAMPER TUBE CAP - CYCLE THREAD	£ 4.85	£ 4.13
17	06.7634	DAMPER ROD PIN	£ 0.20	£ 0.17
18	06.7633	DAMPER VALVE CUP	£ 1.47	£ 1.25
19	03.0584	DAMPER VALVE	£ 5.30	£ 4.51
20	03.0453	SLIDER EXTENSION (STAINLESS/PAIR)	£ 38.00	£ 32.34
21	06.7723	MAIN SPRING (PAIR)	£ 22.00	£ 18.72
22	06.7896	MAIN SPRING LOCATING BUSH	£ 1.80	£ 1.53
23	03.0041	TOP COVER TUBE (BLACK /PAIR)	£ 30.00	£ 25.53
24	06.7515	TOP COVER TUBE SECURING PLATE	£ 3.00	£ 2.55
25	06.7513	TOP COVER TUBE SECURING PLATE SCREW	£ 0.15	£ 0.13
26	03.0026	LOWER YOKE & STEM	N/A	
27	06.7661	STUD CLAMPING FORK CROWN	£ 0.75	£ 0.64
28	06.7664	NUT FOR FORK CROWN CLAMPING STUD	£ 0.45	£ 0.38
29	06.7685	HEAD BEARING WASHER	£ 0.85	£ 0.72
29	06.7651	TOP RACE DUST COVER	£ 2.78	£ 2.37
30	06.7652	HEAD RACE ADJUSTER NUT	£ 8.50	£ 7.23
31	24994/5	HEADLAMP BRACKETS (BLACK/PAIR)	£ 53.00	£ 45.11
33	06.7512	HEADLAMP BRACKET RUBBER RING	£ 3.50	£ 2.98
34	06.7682	MAIN TUBE TOP FILLER PLUG - ALL EXCEPT COMMANDO	£ 8.00	£ 6.81
35	06.7511	MAIN TUBE TOP FILLER PLUG WASHER	£ 0.80	£ 0.68
36	03.0027	TOP YOKE	N/A	
37	06.7746	TOP YOKE LOCK NUT	£ 4.85	£ 4.13

PART NO	DESCRIPTION	PRICE + VAT	PRICE -VAT
SECTION 12: NORTON FRONT WHEELS FITTED 1964 ONWARDS			
1	06.7626 NUT FOR PIVOT PIN	£ 0.35	£ 0.30
2	06.7968 FRONT BRAKE PLATE	N/A	
3	06.7602 FRONT HUB SPINDLE NUT	£ 3.15	£ 2.68
4	06.7764 EXPANDER LEVER	N/A	
5	18942 EXPANDER LEVER NUT	£ 0.30	£ 0.26
6	06.7605 EXPANDER LEVER WASHER	£ 0.12	£ 0.10
7	19653 FRONT BRAKE SHOE FULCRUM PIN	£ 3.75	£ 3.19
8	06.7715 BRAKE SHOE WITH LINING (PAIR)	£ 23.00	£ 19.57
9	00.0113 RIVET,3/8"-1/8"	N/A	
10	16782 BRAKE SHOE LINING	N/A	
11	06.7638 RETAINING PLATE	£ 0.40	£ 0.34
12	06.7640 TAB WASHER	£ 0.35	£ 0.30
13	06.7625 BOLT 1/2"-1/4" 26TPI	£ 0.35	£ 0.30
14	06.7607 BRAKE SHOE SPRING	£ 2.53	£ 2.15
15	06.7752 OIL RETAINING WASHER	£ 0.70	£ 0.60
16	06.7614 HUB BEARING FELT WASHER	£ 0.80	£ 0.68
17	06.7616 PEN STEEL WASHER	£ 1.00	£ 0.85
18	06.7688 WHEEL BEARING (DOUBLE ROW)	£ 20.00	£ 17.02
19	06.7748 BEARING SPACER	£ 5.85	£ 4.98
20	06.7967 BRAKE SHOE CAM	N/A	
21	06.7749 FRONT HUB (BARE)	N/A	
22	04.0100 BALL BEARING - WHEEL & GEARBOX	£ 4.50	£ 3.83
23	06.7674 SPACER FOR BEARING	£ 4.10	£ 3.49
24	06.7615 HUB BEARING LOCK RING	£ 6.25	£ 5.32
25	06.3918 FRONT HUB DUST COVER	£ 4.68	£ 3.98
26	BUSH FOR BRAKE CAM	N/A	
27	03.0055 FRONT HUB SPINDLE - USE 06.0362 SPINDLE WITH 06.0361 NUT		
27.1	06.0362 FRONT HUB SPINDLE	£ 20.00	£ 17.02
27.2	06.0361 FRONT HUB SPINDLE NUT - UNF	£ 3.50	£ 2.98

PART NO	DESCRIPTION	PRICE + VAT	PRICE -VAT
SECTION 13: NORTON REAR WHEELS FITTED 1964 ONWARDS			
1	19689	REAR HUB BARE	N/A
2	06.7711	REAR HUB DISC	£ 12.00 £ 10.21
3	06.7905	REAR HUB DISC SCREWS	£ 0.20 £ 0.17
4	06.7718	REAR HUB RUBBER GROMMET	£ 0.45 £ 0.38
5	03.0052	REAR BRAKE DRUM - 3/8 CHAIN	£ 50.00 £ 42.55
6	18338	REAR HUB BRAKE DRUM LOCATING STUD	£ 4.00 £ 3.40
7	18339	REAR HUB BRAKE DRUM NON LOCATING STUD	£ 4.00 £ 3.40
8	06.7703	BRAKE DRUM SLEEVE NUT - CYCLE	£ 3.00 £ 2.55
9	06.7704	HUB BEARING SPACER	£ 1.20 £ 1.02
10	06.7688	WHEEL BEARING (DOUBLE ROW)	£ 20.00 £ 17.02
11	04.0100	BALL BEARING - WHEEL & GEARBOX	£ 4.50 £ 3.83
12	06.7614	HUB BEARING FELT WASHER	£ 0.80 £ 0.68
13	06.7616	PEN STEEL WASHER	£ 1.00 £ 0.85
14	06.7702	SPEEDO DRIVE LOCKRING	£ 14.50 £ 12.34
15	06.7751	FELT SEAL RETAINING WASHER	£ 0.30 £ 0.26
16	06.7701	REAR HUB BEARING SPACER	£ 5.30 £ 4.51
17	06.7601	BRAKE DRUM SPINDLE	£ 16.50 £ 14.04
18	06.7629	SPEEDO GEARBOX DISTANCE PIECE	£ 2.25 £ 1.91
19	03.0018	WHEEL SPINDLE SPACER	£ 1.60 £ 1.36
20	24882	REAR WHEEL SPINDLE	N/A
21	03.0023	USE 06.7738	
22	06.7739	REAR WHEEL SPINDLE NUT	£ 2.60 £ 2.21
23	03.0015	REAR WHEEL COVER PLATE	O/S
24	06.7966	BRAKE SHOE EXPANDER	£ 10.00 £ 8.51
25	06.7852	BRAKE SHOE EXPANDER LEVER	N/A
26	06.7605	EXPANDER LEVER WASHER	£ 0.12 £ 0.10
27	18942	EXPANDER LEVER NUT	£ 0.30 £ 0.26
28	E5082	EXPANDER CAM BEARING	£ 3.75 £ 3.19
29	03.0017	SPACER FOR COVER PLATE	£ 1.60 £ 1.36
30	19847	TORQUE PIVOT PIN	N/A
31	06.7756	TORQUE PIVOT PIN NUT	N/A
32	06.7747	BRAKE SHOE WITH LINING (PAIR)	£ 23.00 £ 19.57
33	06.7670	BRAKE LINING	N/A
34	00.0113	RIVET,3/8"-1/8"	N/A
35	06.7607	BRAKE SHOE SPRING	£ 2.53 £ 2.15
36	06.7638	RETAINING PLATE	£ 0.40 £ 0.34
38	06.7625	BOLT 1/2"-1/4" 26TPI	£ 0.35 £ 0.30
39	22888	SPEEDO GEARBOX	

PART NO	DESCRIPTION	PRICE + VAT	PRICE -VAT
---------	-------------	----------------	---------------

SECTION 14: OIL PIPES

OIP-100	SINGLE CYLINDER FEED AND RETURN PIPES,PAIR (ATTACH TO OIL TANK WITH A SHORT LENGTH OF RUBBER PIPE)	£ 25.00	£ 21.28
OIP-200	RUBBER PIPE FOR SINGLE & TWIN FEED AND RETURN, PER FOOT	£ 1.50	£ 1.28

FOR OTHER OIL PIPES SEE SECTION ONE

SECTION 15: PETROL TAPS

PTP-100	PETROL TAP 1/8" GAS -1/4" GAS - PUSH/ PUSH TYPE	£ 15.75	£ 13.40
PTP-200	PETROL TAP 1/8" GAS -1/4" GAS - LEVER TYPE	£ 14.00	£ 11.91
PTP-300	PETROL TAP 1/4" GAS -1/4" GAS - LEVER TYPE	£ 15.00	£ 12.77
PTP-350	PETROL TAP 1/8" GAS - 1/4" GAS PUSH/PULL	£ 17.50	£ 14.89
PTP-400	PETROL PIPE SPIGOT NUT 1/4 GAS	£ 1.00	£ 0.85
PTP-425	PETROL PIPE SPIGOT NUT 3/16 GAS	£ 1.00	£ 0.85
PTP-450	PETROL PIPE NUT & SPIGOT - 90 DEGREE 1/4 GAS	£ 4.00	£ 3.40
PTP-500	PETROL PIPE SPIGOT - 1/4 GAS	£ 1.00	£ 0.85
PTP-550	PETROL PIPE SPIGOT - 3/16 GAS	£ 1.00	£ 0.85
PTP-600	PETROL PIPE FERRUL	£ 0.45	£ 0.38
PTP-700	PETROL PIPE 'T' PIECE	£ 3.00	£ 2.55
PTP-800	PETROL PIPE,CLEAR WITH BRAID (PER FOOT)	£ 0.75	£ 0.64
PTP-900	PETROL PIPE,BLACK (PER FOOT)	£ 0.75	£ 0.64

SECTION 16: PISTONS

350 PISTONS FOR ALL MODELS 1939 TO 1946

PIS-010	350 PISTON UPTO 1946 - STD SIZE		
PIS-020	350 PISTON UPTO 1946 - + 020" OVERSIZE	£ 40.00	£ 34.04
PIS-030	350 PISTON UPTO 1946 - + 040" OVERSIZE		

ALL THE ABOVE ARE COMPLETE PISTON ASSEMBIES AND INCLUDE RINGS,GUDGEON PIN & CIRCLIPS

350 PISTONS 1947 TO 1961

THE FOLLOWING PISTONS ARE SUITABLE FOR ALL TOURING AND TRIALS MODELS OF THIS PERIOD AND SCRAMBLER MODELS UPTO 1955.

PIS-040	350 PISTON 1946 TO 1961 - STD SIZE	£ 43.00	£ 36.60
PIS-050	350 PISTON 1946 TO 1961 - + 020" OVERSIZE	£ 43.00	£ 36.60
PIS-060	350 PISTON 1946 TO 1961 - + 040" OVERSIZE	£ 43.00	£ 36.60
PIS-070	350 PISTON 1946 TO 1961 - + 060" OVERSIZE	£ 43.00	£ 36.60

ALL THE ABOVE ARE COMPLETE PISTON ASSEMBIES AND INCLUDE RINGS,GUDGEON PIN & CIRCLIPS

500 SINGLE PISTONS 1947 TO 1961

THE FOLLOWING PISTONS ARE SUITABLE FOR ALL TOURING AND TRIALS MODELS OF THIS PERIOD AND SCRAMBLER MODELS UPTO 1955.

PIS-080	500 PISTON 1946 TO 1961 - STD SIZE	£ 55.00	£ 46.81
PIS-090	500 PISTON 1946 TO 1961 - + 020" OVERSIZE	£ 55.00	£ 46.81
PIS-100	500 PISTON 1946 TO 1961 - + 040" OVERSIZE	£ 55.00	£ 46.81
PIS-110	500 PISTON 1946 TO 1961 - + 060" OVERSIZE	£ 55.00	£ 46.81

ALL THE ABOVE ARE COMPLETE PISTON ASSEMBIES AND INCLUDE RINGS,GUDGEON PIN & CIRCLIPS

PART NO	DESCRIPTION	PRICE + VAT	PRICE -VAT
---------	-------------	----------------	---------------

650 TWIN PISTONS 1960 ONWARDS

PIS-120	650 TWIN PISTONS (PAIR) - STD SIZE		
PIS-130	650 TWIN PISTONS (PAIR) - +020" OVERSIZE	£ 83.00	£ 70.64
PIS-140	650 TWIN PISTONS (PAIR) - +040" OVERSIZE	£ 83.00	£ 70.64
PIS-150	650 TWIN PISTONS (PAIR) - +060" OVERSIZE	£ 83.00	£ 70.64

ALL THE ABOVE ARE COMPLETE PISTON ASSEMBIES AND INCLUDE RINGS,GUDGEON PINS & CIRCLIPS

500 TWIN PISTONS 1949-1955

PIS-200	500 TWIN PISTONS (PAIR) - STD SIZE 1949-1955		
PIS-210	500 TWIN PISTONS (PAIR) - +0.020" OVERSIZE 1949-1955	£ 83.00	£ 70.64
PIS-220	500 TWIN PISTONS (PAIR)- +0.040" OVERSIZE 1949-1955	£ 83.00	£ 70.64
PIS-230	500 TWIN PISTONS (PAIR)- +0.060" OVERSIZE 1949-1955	£ 83.00	£ 70.64

ALL THE ABOVE ARE COMPLETE PISTON ASSEMBIES AND INCLUDE RINGS,GUDGEON PINS & CIRCLIPS

500 TWIN PISTONS 1956 on

PIS-240	500 TWIN PISTONS (PAIR) - STD SIZE 1956 ON		
PIS-250	500 TWIN PISTONS (PAIR) - +0.020" OVERSIZE 1956 ON	£ 83.00	£ 70.64
PIS-260	500 TWIN PISTONS (PAIR) - +0.040" OVERSIZE 1956 ON	£ 83.00	£ 70.64
PIS-270	500 TWIN PISTONS (PAIR) - +0.060" OVERSIZE 1956 ON	£ 83.00	£ 70.64

ALL THE ABOVE ARE COMPLETE PISTON ASSEMBIES AND INCLUDE RINGS,GUDGEON PINS & CIRCLIPS

BARE PISTONS

THE FOLLOWING PISTONS ARE ORIGINAL AMC BARE PISTONS AND DO NOT COME WITH RINGS, GUDGEON PIN OR CIRCLIPS

02.2226	600 TWIN 1957-1958 STD SIZE 7.4:1 CR	£ 36.00	£ 30.64
02.2349	350 HEAVYWEIGHT SCRAMBLER 1956-1959 STD SIZE (72 MM). 9.9:1 CR	£ 55.00	£ 46.81
02.2928	500 SINGLE SCRAMBLER 1956 STD SIZE (86 MM)11.9:1 CR	£ 55.00	£ 46.81
02.2929	350 HEAVYWEIGHT SCRAMBLER 1956-1959 STD SIZE (72 MM). 11.9:1 CR	£ 55.00	£ 46.81
02.3503	600 TWIN 1958 STD SIZE 8.5:1 CR	£ 36.00	£ 30.64
02.4034	650 TWIN 1958 STD SIZE 8.5:1 CR	£ 36.00	£ 30.64
02.4034+20	650 TWIN 1958 +0.020" O/S 8.5:1 CR	£ 36.00	£ 30.64
02.5045	650 TWIN 1959 STD SIZE 8.5:1 CR	£ 36.00	£ 30.64
02.5601	650 TWIN 1959 STD SIZE 8:1 CR	£ 36.00	£ 30.64
02.6324	1960 ONWARDS 650 TWIN STD SIZE 7.5:1 CR	£ 36.00	£ 30.64
02.6769	500 SINGLE 1960 STD SIZE (82.5 MM) 7.3:1 CR	£ 36.00	£ 30.64
02.8107	350 HEAVYWEIGHT 1961-1962 STD SIZE (74 MM) HIGH COMPRESSION	£ 55.00	£ 46.81
02.8127	350 HEAVYWEIGHT 1961-1962 STD SIZE. (74MM)	£ 55.00	£ 46.81
02.8129	350 HEAVYWEIGHT 1961-1962 +0.020" O/S. (74.5MM)	£ 55.00	£ 46.81
02.8196	500 SINGLE 1964 ON STD SIZE 12.5:1 CR	£ 55.00	£ 46.81
02.8429	750 TWIN (G15/45) +0.020"	£ 36.00	£ 30.64
03.0147	350 HEAVYWEIGHT 1964 ON +0.040" O/S. (73MM)	£ 36.00	£ 30.64
04.3039	250 LIGHTWEIGHT STD SIZE 8:1 CR	£ 36.00	£ 30.64

PART NO	DESCRIPTION	PRICE + VAT	PRICE -VAT
---------	-------------	----------------	---------------

SECTION17: PISTON RING SETS

350 HEAVYWEIGHT PISTON RING SETS 1939 TO 1961

THE FOLLOWING PISTON RING SETS ARE SUITABLE FOR ALL TOURING AND TRIALS MODELS OF THIS PERIOD AND SCRAMBLER MODELS UPTO 1955.

RIN-010	350 H/W SINGLE RING SET - STD SIZE	£ 12.00	£ 10.21
RIN-020	350 H/W SINGLE RING SET - +020 OVERSIZE	£ 12.00	£ 10.21
RIN-030	350 H/W SINGLE RING SET - +040" OVERSIZE	£ 12.00	£ 10.21
RIN-040	350 H/W SINGLE RING SET - +060" OVERSIZE	£ 12.00	£ 10.21

500 HEAVYWEIGHT PISTON RING SETS 1939 TO 1961

THE FOLLOWING PISTON RING SETS ARE SUITABLE FOR ALL TOURING AND TRIALS MODELS OF THIS PERIOD AND SCRAMBLER MODELS UPTO 1955.

RIN-050	500 H/W SINGLE RING SET - STD SIZE	£ 12.00	£ 10.21
RIN-060	500 H/W SINGLE RING SET - +020 OVERSIZE	£ 12.00	£ 10.21
RIN-065	500 H/W SINGLE RING SET - +030 OVERSIZE	£ 12.00	£ 10.21
RIN-070	500 H/W SINGLE RING SET - +040" OVERSIZE	£ 12.00	£ 10.21
RIN-080	500 H/W SINGLE RING SET - +060" OVERSIZE	£ 12.00	£ 10.21

600& 650 TWIN PISTON RING SETS

RIN-090	600/650 RING SET - STD SIZE	£ 24.00	£ 20.43
RIN-100	600/650 RING SET - +020 OVERSIZE	£ 24.00	£ 20.43
RIN-110	600/650 RING SET - +040" OVERSIZE	£ 24.00	£ 20.43
RIN-120	600/650 RING SET - +060" OVERSIZE	£ 24.00	£ 20.43

TWIN PISTON RING SETS CONTAIN RINGS FOR 2 PISTONS

350 HEAVYWEIGHT PISTON RING SETS FOR 72MM BORE ENGINES

RIN-130	350 RING SET - STD SIZE		
RIN-140	350 RING SET - +020 OVERSIZE	£ 18.21	£ 15.50
RIN-150	350 RING SET - +040" OVERSIZE	£ 18.21	£ 15.50
RIN-160	350 RING SET - +060" OVERSIZE	£ 18.21	£ 15.50

THESE RING SETS ARE FOR 350 SHORT STROKE SCRAMBLER ENGINES 1956 ON AND ALL 350 HEAVYWEIGHT MODELS 1964 ON.

350 LIGHTWEIGHT PISTON RING SETS

RIN-170	350 L/W SINGLE RING SET - STD SIZE	£ 12.00	£ 10.21
RIN-180	350 L/W SINGLE RING SET - +020 OVERSIZE	£ 12.00	£ 10.21
RIN-190	350 L/W SINGLE RING SET - +040" OVERSIZE	£ 12.00	£ 10.21
RIN-200	350 L/W SINGLE RING SET - +060" OVERSIZE	£ 12.00	£ 10.21

500 TWIN PISTON RING SETS

RIN-210	500 TWIN RING SET - STD SIZE	£ 24.00	£ 20.43
RIN-220	500 TWIN RING SET - +0.020" OVERSIZE	£ 24.00	£ 20.43
RIN-230	500 TWIN RING SET - +0.030" OVERSIZE	£ 24.00	£ 20.43
RIN-240	500 TWIN RING SET - +0.040" OVERSIZE	£ 24.00	£ 20.43
RIN-250	500 TWIN RING SET - +0.060" OVERSIZE	£ 24.00	£ 20.43

TWIN PISTON RING SETS CONTAIN RINGS FOR 2 PISTONS

PART NO	DESCRIPTION	PRICE + VAT	PRICE -VAT
---------	-------------	----------------	---------------

SECTION 18 :SPEEDOMETER DRIVE CABLES AND GEARBOXES

FW-SDU	SPEEDO DRIVE FOR GIRDER FORK MODELS (FITTED TO FRONT WHEEL BRAKE PLATE)	£ 32.00	£ 27.23
RW-SDU	SPEEDO DRIVE FOR REAR WHEEL DRIVE MODELS	£ 44.00	£ 37.45
SC-46	SPEEDO DRIVE CABLE 4'6" LONG	£ 11.50	£ 9.79
SC-52	SPEEDO DRIVE CABLE 5'2" LONG	£ 11.50	£ 9.79
SC-53	SPEEDO DRIVE CABLE 5'3" LONG	£ 11.50	£ 9.79
SC-55	SPEEDO DRIVE CABLE 5'5" LONG	£ 11.50	£ 9.79
SC-575	SPEEDO DRIVE CABLE 5'7.1/2" LONG	£ 11.50	£ 9.79
SC-59	SPEEDO DRIVE CABLE 5'9" LONG	£ 11.50	£ 9.79

SECTION 19 :TINWARE

CG-100	REAR CHAINGUARD FOR RIGID FRAME MODELS	POA	
CG-200	REAR CHAINGUARD FOR SWINGING ARM HEAVYWEIGHT MODELS UPTO 1954	POA	
CG-300	REAR CHAINGUARD FOR SWINGING ARM HEAVYWEIGHT MODELS AFTER 1954 WITH NON QUICKLY DETACHABLE WHEEL (ALSO FITS LATE MODEL G80 CS)	£ 68.00	£ 57.07
CG-400	REAR CHAINGUARD FOR SWINGING ARM HEAVYWEIGHT MODELS AFTER 1954 WITH A QUICKLY DETACHABLE REAR WHEEL	POA	
CG-500	REAR CHAINGUARD FOR HEAVYWEIGHT MODELS AFTER 1962	POA	
MGS-100	FRONT MUDGUARD BRIDGE BRIDGE FOR ALLOY MUDGUARDS	£ 12.00	£ 10.21
RBP-100	CHROME REAR BRAKE PLATE COVER FOR 1955-1962 HEAVYWEIGHT MODELS	£ 26.00	£ 22.13

SECTION 20 :TRANSFERS

00.9183	OIL LEVEL TRANSFER	£ 1.20	£ 1.02
00.9184	OIL FILTER INSTRUCTION TRANSFER	£ 1.20	£ 1.02
00.9185	OIL TANK/TOOLBOX TRANSFER	£ 1.55	£ 1.32
00.9186	PRIMARY CHAINCASE TRANSFER	£ 1.20	£ 1.02
00.9188	TOOLBOX/OIL TANK TRANSFER	£ 1.20	£ 1.02
00.9189	REAR MUDGUARD TRANSFER	£ 1.75	£ 1.49
00.9192	FRONT FORK TRANSFER	£ 1.70	£ 1.45
00.9194	PETROL TANK/REAR MUDGUARD TRANSFER	£ 1.50	£ 1.28
00.9195	RESEVRE TRANSFER	£ 1.20	£ 1.02
00.9196	MADE IN ENGLAND TRANSFER	£ 1.20	£ 1.02
01.1051	PETROL TANK TRANSFER	£ 2.00	£ 1.70
02.3277	UPPER OIL TANK LEVEL TRANSFER	£ 1.20	£ 1.02
02.3279	LOWER OIL TANK LEVEL TRANSFER	£ 1.20	£ 1.02
02.3302	OIL TANK/TOOLBOX TRANSFER	£ 1.25	£ 1.060.0262

PART NO DESCRIPTION

PRICE
+ VATPRICE
-VAT**SECTION 21 :TYRES****AVON TYRES**

TYR-010	3.00-19 SPEEDMASTER	£ 41.00	£ 34.89
TYR-020	3.25-19 SPEEDMASTER	£ 42.00	£ 35.74
TYR-030	3.50-19 SPEEDMASTER	£ 45.00	£ 38.30
TYR-040	3.00-21 SPEEDMASTER	£ 43.00	£ 36.60
TYR-050	5.00-16 SAFETY MILEAGE	£ 58.00	£ 49.36
TYR-070	4.00-18 SAFETY MILEAGE	£ 53.00	£ 45.11
TYR-080	3.50-19 SAFETY MILEAGE	£ 46.00	£ 39.15
TYR-090	3.50-16 SUPREME 180	£ 45.00	£ 38.30
TYR-100	3.50-17 SUPREME 180	£ 46.00	£ 39.15
TYR-120	3.50-18 SUPREME 180	£ 47.00	£ 40.00
TYR-160	3.50-19 SIDECAR TRIPLE DUTY	£ 49.00	£ 41.70
TYR-170	4.10-19 UNIVERSAL ROADRUNNER	£ 59.00	£ 50.21

DUNLOP TYRES

TYR-220	4.00-18 K70	£ 59.00	£ 50.21
TYR-230	3.25-19 K70	£ 50.00	£ 42.55
TYR-240	3.50-19 K70	£ 52.00	£ 44.26
TYR-260	4.10-18 K81-TT100	£ 60.00	£ 51.06
TYR-270	4.25/85-18 K81 -TT100	£ 72.00	£ 61.28
TYR-280	3.60-19 K81 -TT100	£ 59.00	£ 50.21
TYR-290	4.10-19 K81 -TT100	£ 62.00	£ 52.77

INNER TUBES AND SUNDIRES

TYR-320	INNER TUBE 3.50-16	£ 9.00	£ 7.66
TYR-330	INNER TUBE 3.00/3.25/3.50-17	£ 9.00	£ 7.66
TYR-340	INNER TUBE 2.75/3.00-18	£ 9.00	£ 7.66
TYR-350	INNER TUBE 3.25/3.50/3.60/4.10-18	£ 9.00	£ 7.66
TYR-360	INNER TUBE 4.00/4.25/85-18	£ 9.00	£ 7.66
TYR-370	INNER TUBE 2.75/3.00-19	£ 9.00	£ 7.66
TYR-380	INNER TUBE 3.25/3.50/3.60/4.10-19	£ 9.00	£ 7.66
TYR-390	INNER TUBE 2.75/3.00-21	£ 9.00	£ 7.66
TYR-400	RIM TAPE FOR 16" RIMS	£ 1.50	£ 1.28
TYR-410	RIM TAPE FOR 17" RIMS	£ 1.50	£ 1.28
TYR-420	RIM TAPE FOR 18" RIMS	£ 1.50	£ 1.28
TYR-430	RIM TAPE FOR 19" RIMS	£ 1.50	£ 1.28
TYR-440	RIM TAPE FOR 21" RIMS	£ 1.50	£ 1.28
TYR-450	SECURITY BOLT FOR WM1 RIMS	£ 4.50	£ 3.83
TYR-460	SECURITY BOLT FOR WM2 RIMS	£ 5.00	£ 4.26
TYR-470	SECURITY BOLT FOR WM3 RIMS	£ 5.00	£ 4.26
TYR-480	PUNCTURE REPAIR OUTFIT	£ 3.50	£ 2.98
TYR-490	TYRE LEVER	£ 2.40	£ 2.04

Illustrations for petrol taps (all models), front and rear Norton hubs and Norton front forks fitted to some post 1964 models.



PTP-100



PTP-200



PTP-300



PTP-350



PTP-450



PTP-500/550



PTP-400/425



PTP-700

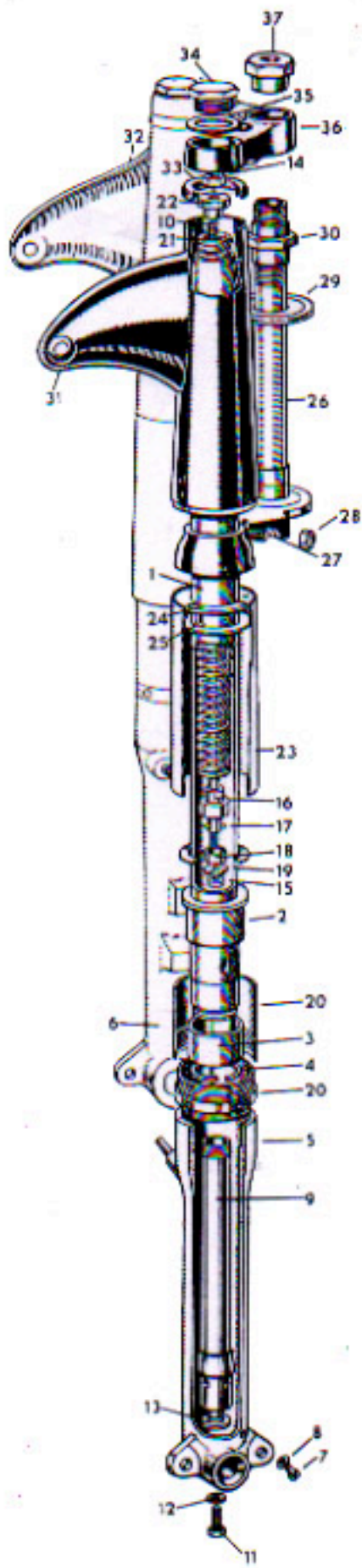


PLATE C.

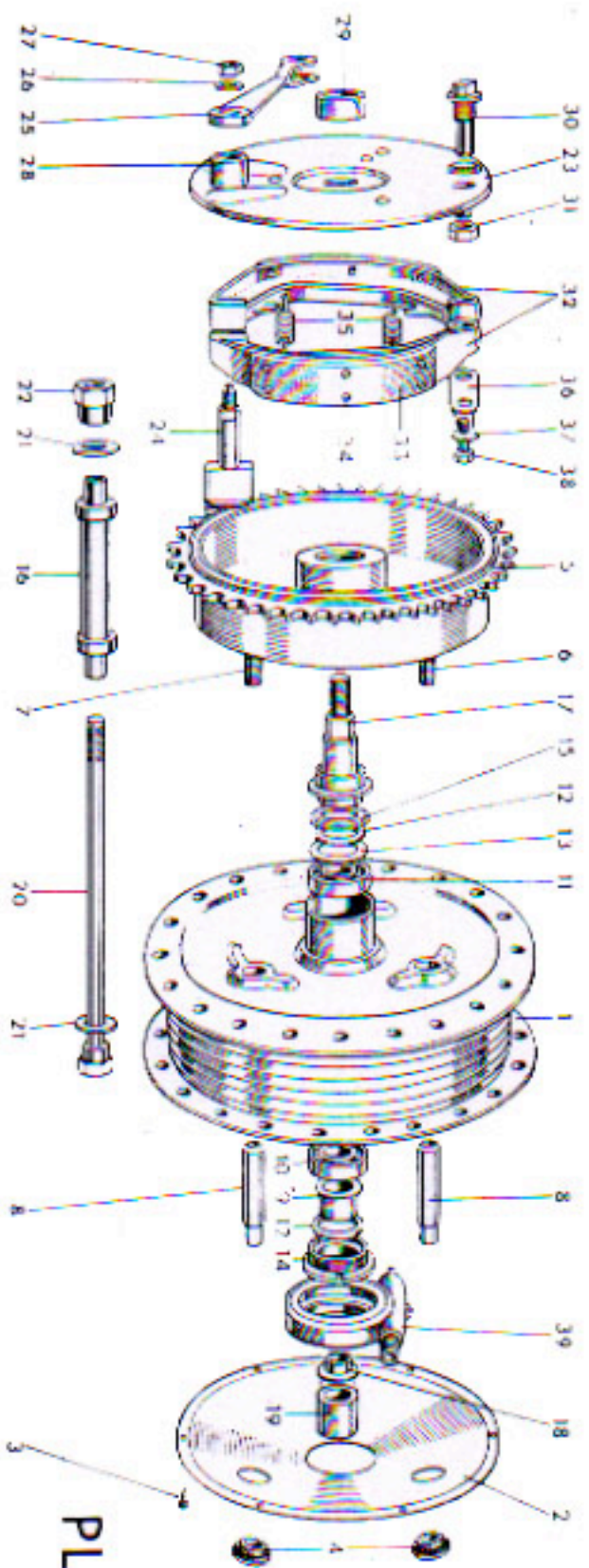


PLATE G

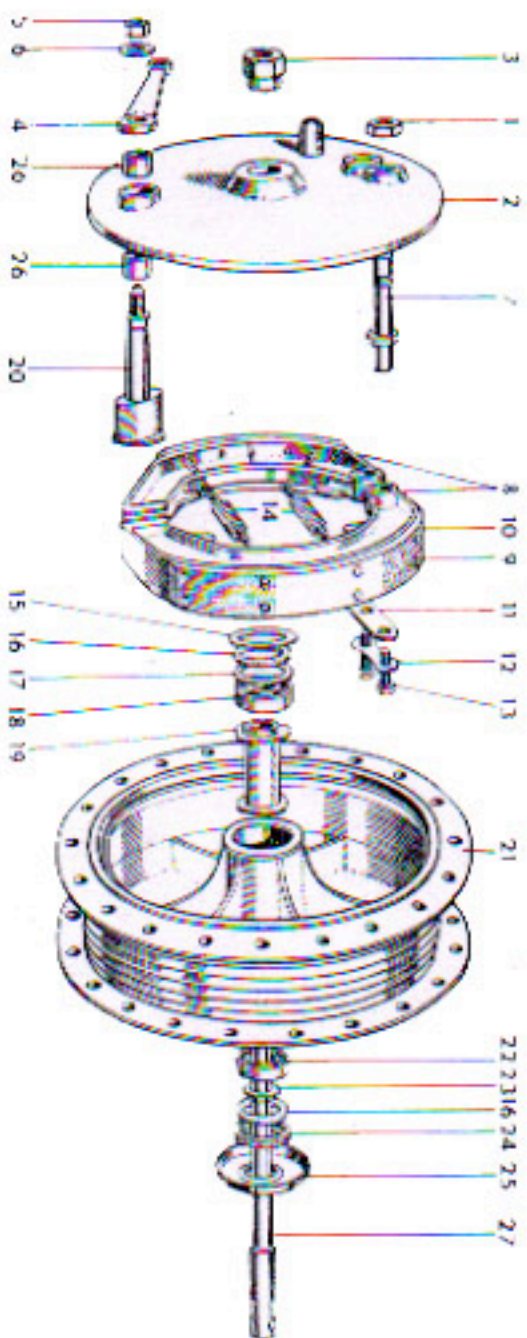


PLATE F